



**NORTH RIVER**

**2026**

**MODEL YEAR**

**RECREATIONAL CATALOG**



# 21' COHO

## Key Features:

- Mechanical 150 hp four stroke XL outboard engine & pre-rig (Yamaha, Honda, or Mercury)
- Versatile SBT722-7.5K-TOR galvanized DX2 T/A trailer
- Hydraulic steering
- Folding canvas top with side and backdrop curtains

Life is better in a North River



## Standard Features:

### Aluminum Hull Features

- 7-year limited hull warranty to original purchaser
- .190 aluminum bottom
- Longitudinal box beam bottom bracing
- Reverse chines, lifting and turning strakes
- Welded walk-through windshield
- Offshore motor bracket with Starboard swim deck

### Exterior Features

- Cowled gunwale
- Five welded rope cleats
- Single rear cowling box and single Teak Isle lid
- Stainless steel bow eye and transom eyes
- Transducer brackets
- Transom tie downs
- Canvas folding top with side and back drop curtains, slide track, storage boot and bag – Charcoal

### Interior Features

- Port flat dash with glove box
- Easy care marine vinyl over 7-ply, 3/4" MDO floorboards
- Cup holders (4) – side tray drop-in
- Fish Pro helm seats with adjustable pedestals
- Storage benches with cushioned lids and separate back pads
- Aft deck In-floor storage and Extra-large lockable storage under bow
- Under floor fuel tank with water separating filter
- Carpeted trays, seat boxes & front bulkhead (loose carpet in seat box and rope storage)



## Specifications

- LENGTH OVERALL 23' 2"
- CENTERLINE LENGTH 21'
- CABIN (LENGTH / HEIGHT) 75" / 74"
- COCKPIT (LENGTH / WIDTH) 69" / 84"
- HULL ENTRY 42°
- DEADRISE 18°
- BEAM 8' 6"
- BOTTOM .190
- TRANSOM .190
- SIDES 35" x .160
- INTERIOR SIDE HEIGHT 29"
- FUEL CAPACITY - GALLONS 70
- ENGINE OUTBOARD XL SHAFT
- DRY WEIGHT - LBS. 2,160
- PERSON CAPACITY 6
- PERSON WT. CAPACITY - LBS. 1,110
- MAX WT. CAPACITY ON WATER (Persons, Motors & Gear) - LBS. 2,668
- MAX HORSEPOWER 300

\*Listed horsepower rating may require upgraded offshore bracket.

## Paint/Vinyl Features

- Marble Stone Zolatone interior paint with clear coat
- One color full side vinyl with upper transom vinyl
- Non-skid surface on gunwales, recessed bow and step

## Electrical Features

- Fuel gauge - Loose in boat
- Dash panel - (8) rocker switches
- Starboard windshield wiper
- 12-volt power point and double USB power socket
- 1250 GPH high-capacity bilge pump
- Recessed horn
- Single GRP24 battery with on/off switch
- Navigation / Anchor Lights L.E.D.

## Trailer Features

- Versatile SBT722-7.5K-TOR galvanized DX2 T/A trailer
- Spare tire and carrier

## Outboard Features

- Choice of (1) Yamaha, Honda, or Mercury mechanical 150 hp four stroke XL outboard engine and Mechanical side control pre-rig with appropriate harness and control cables. The dealer is responsible for supplying and installing their own prop. CHT9 - Yamaha F150XD / CHT10 - Honda BF150DXRA / CHT11 - Mercury 150XL FourStroke

## Options

106 - Trailer swing tongue	
C4 - Weld on transom kicker bracket	
C5 - Port swim deck w/ welded kicker bracket	
C6 - Welded bow rails	
5108 - Sensar Marine - Boat Monitor with Bilge Sentry.	



# 21' COHO HARD TOP

## Key Features:

- Mechanical 150 hp four stroke XL outboard engine & pre-rig (Yamaha, Honda, or Mercury)
- Versatile SBT722-7.5K-TOR galvanized DX2 T/A trailer
- Hydraulic steering
- Aluminum floors with floor grip
- Single rear cowling box and single Teak Isle lid
- Hard top with front slider side windows & aft picture windows, and a canvas backdrop
- Offshore motor bracket with Port swim deck kicker bracket & Starboard swim deck

Life is better in a North River



## Standard Features:

### Aluminum Hull Features

- 7-year limited hull warranty to the original purchaser
- .190 aluminum bottom
- Reverse chines, lifting and turning strakes
- Welded walk-through windshield with open bow
- Offshore motor bracket with Port swim deck kicker bracket & Starboard swim deck

### Exterior Features

- Hard top with front slider side windows & aft picture windows and a canvas backdrop
- (1) Net and (3) Rod holders on each cabin side
- Cowled gunwale
- Five welded rope cleats
- Single rear cowling box and single Teak Isle lid
- Roof radar mount post
- Stainless steel bow eye and transom eyes
- Transducer brackets
- Transom tie-downs

### Interior Features

- Port flat dash with glove box
- Hydraulic steering
- Aluminum floors with floor grip
- Fish Pro helm seats with adjustable pedestals
- Storage benches with cushioned lids and separate back pads
- Cabin in-floor storage and extra-large lockable storage under the bow
- Full-width aft storage for battery and outfitting components
- Under-floor fuel tank with rear fill and water separating filter
- Carpeted trays, seat boxes & front bulkhead (loose carpet in seat box and rope storage)
- Cup holders (4) – side tray drop-in



## Specifications

- LENGTH OVERALL 23' 2"
- CENTERLINE LENGTH 21'
- CABIN (LENGTH / HEIGHT) 78" / 74"
- COCKPIT (LENGTH / WIDTH) 66" / 84"
- HULL ENTRY 42°
- DEADRISE 18°
- BEAM 8' 6"
- BOTTOM .190
- TRANSOM .190
- SIDES 35" x .160
- INTERIOR SIDE HEIGHT 29"
- FUEL CAPACITY - GALLONS 70
- ENGINE OUTBOARD XL SHAFT
- DRY WEIGHT - LBS. 2,800
- PERSON CAPACITY 6
- PERSON WT. CAPACITY - LBS. 1,110
- MAX WT. CAPACITY ON WATER (Persons, Motors & Gear) - LBS. 2,668
- MAX HORSEPOWER 300

\*Listed horsepower rating may require upgraded offshore bracket.

## Paint/Vinyl Features

- Marble Stone Zolatone interior paint with clear coat
- One color full side vinyl with upper transom vinyl
- Non-skid surface on gunwales, recessed bow and step

## Electrical Features

- Fuel gauge - Loose in boat
- Dash panel - (8) rocker switches
- Starboard windshield wiper
- 12-volt power point and double USB power socket
- 1250 GPH high-capacity bilge pump
- Recessed horn
- Single GRP24 battery with on/off switch
- Navigation / Anchor Lights L.E.D.

## Trailer Features

- Versatile SBT722-7.5K-TOR galvanized DX2 T/A trailer
- Spare tire and carrier

## Outboard Features

- Choice of (1) Yamaha, Honda, or Mercury mechanical 150 hp four stroke XL outboard engine and Mechanical side control pre-rig with appropriate harness and control cables. The dealer is responsible for supplying and installing their own prop. CHT9 - Yamaha F150XD / CHT10 - Honda BF150DXRA / CHT11 - Mercury 150XL FourStroke

## Options

106 - Trailer swing tongue	
1060 - Anchor guards, diamond plate	
3803 - Trim tabs, (Lectro)	
CHT2 - Welded stern rails	
CHT3 - Welded down rigger brackets	
CHT4 - Port independent wiper system	
CHT5 - Yamaha F200XD upgrade	
CHT6 - Honda BF200DXRA upgrade	
CHT7 - Mercury 200XL FourStroke upgrade	
CHT8 - Welded bow rails	
5108 - Sensar Marine - Boat Monitor with Bilge Sentry	



# SEAHAWK OUTBOARD

## Come Aboard Our Top Seller

Navigate choppy waters effortlessly with a 42° hull entry and an 18° transom deadrise. The robust design features an 8' 6" beam, .250 thick bottom, and towering 35" sides, ensuring a safe, sturdy, and exhilarating outdoor adventure on the water.

### Key Features:

- Lifetime limited hull warranty
- Offshore bracket with welded Bomar hatch
- Welded kicker bracket (swim deck or transom)
- Center floor fish box in aft deck with drain & valve
- Welded .190 doubler plate on bow foredeck
- Boarding ladder with welded grab handle
- Zolatone interior and two color full side paint
- Aluminum floors with floor grip
- Suspension helm seats
- Aft storage bench seats
- Deluxe folding top
- Rear cowling storage boxes & center pylon receiver
- Wash down pump
- Dual batteries with ACR system
- Dual bilge pumps with auto float

**Life is better in a North River**



SEAHAWK OUTBOARD	21'	22'	23'	24'	25'
Length Overall	23'2"	24'2"	25'2"	26'2"	27'2"
Centerline Length	21'	22'	23'	24'	25'
Cabin Length/Height	75"/74"	83"/74"	83"/74"	91"/74"	91"/74"
Cockpit Length/Width	69"/84"	73"/84"	85"/84"	89"/84"	101"/84"
Beam	8'6"	8'6"	8'6"	8'6"	8'6"
Bottom	.250	.250	.250	.250	.250
Sides	35" x .160	35" x .160	35" x .160	35" x .160	35" x .160
Fuel Capacity - Gallons	70	80	90	100	110
Dry Weight - lbs	2,680	2,700	2,860	3,010	3,150
Person Capacity	6	6	7	7	7
Person Wt. Capacity	1,110	1,110	1,295	1,295	1,295
Max Wt. Capacity on water (Persons, Motors & Gear) - lbs	2,668	2,958	3,217	3,475	3,739
Max Horsepower*	300	300	300	350	350

\*Listed horsepower rating may require upgraded offshore bracket.

### Boat on Trailer Dimensions - Average Values\*

Highest Fixed Point	8'	8'	8'	8'	8'
Length Overall Coupler to Main Engine	31'	32'	33'	34'	35'

\*Make of trailer will affect actual values

## Seahawk Outboard

- 21' x 8'6"
- 22' x 8'6"
- 23' x 8'6"
- 24' x 8'6"
- 25' x 8'6"



2026MY



### Fabrication

1060 - Anchor guards, diamond plate	
1270 - Brackets, welded down rigger (Pair at FWD stern rail)	
1540 - Door, transom boarding (Starboard)	
1541 - Bait box, transom cowling (Requires option #1540)	
1542 - Trim lip, aluminum at rear cowling	
1620 - Rear cowling storage box, single large box (Ski pylon deleted)	
1640 - Fish box, anchor locker in bow	
2280 - Ski pylon removable post (33")	
2285 - Insulate fish box sides and bottom (Per fish box option)	

### Outfitting

3150A - Aerate, rear cowling storage box (Port)	
3382 - Dual USB-A/C combo charger (Each) (Portside)	
3400 - Pump, Whale Gulper pump for in-floor fish box	
3618 - Fuse Block, dedicated (Helm)	
3795 - Porta-Potti with privacy curtains in starboard seat box with bolt-on backrest	
5098 - Seakeeper Ride 450 (<26')	
5103 - Seakeeper Ride Keypad with Ethernet Cable - Choose MFD Cable: (Garmin, Ray Marine, or Simrad)	
5108 - Sensar Marine - Boat Monitor with Bilge Sentry	

### Canvas

270 - Cover, stern	
890D - Rigid top frame, removable (Exch. folding top). Includes: LED folding mast, dome & rear deck lights. Welded net & rod holders (Port and Starboard)	

### Steering

HS 1 - Hydraulic steering system, single main engine	
HS 2 - Hydraulic steering system, twin main engines	
HS YXC1 - Hydraulic steering system, Yamaha XC/XD single engine	
HS YXC2 - Hydraulic steering system, Yamaha XC/XD twin engines	

### Upholstery

320 - Cushions, sleeper	
390B - Seat boxes, with cushioned lids, backrests fore & NR2 seats aft (QTY 2)	

### Paint Colors

4057 - Color matched Zolatone (Top of gunwales and interior)	
4120C - Custom lower paint color, for standard two color full side paint	



**See Dealer For Additional Options**

**Trailer & Outboard Engine Options - Dealer to provide pricing for appropriate equipment found within the 2026MY Dealer Sales Book**

Prices subject to change. Photos include items that may not be standard features or options. Options may not be available on all models.

# PURSUIT

## Versatility for Every Angler

Designed for anglers, the Pursuit is a versatile multi-species boat ideal for lakes, rivers, and estuaries. With a 35° hull entry, 17° deadrise, .190 transom thickness, and 28" interior side height, it offers excellent stability, performance, and space for bow-mounted motors.

### Key Features:

- Lifetime limited hull warranty
- Offshore bracket with welded Bomar hatch
- Welded kicker bracket (transom)
- Rear cowling 35-gallon aerated, insulated, & lighted livewell - single oversized box
- Welded .190 doubler plate on bow foredeck
- Boarding ladder with welded grab handle
- Dark Charcoal Metallic CMOT interior paint with a clear coat
- Super White upper side paint, Dark Charcoal lower side paint, & transom paint with a clear coat
- Aluminum floors with floor grip
- Two Fish Pro sport seats on pedestals at helm
- Two Fish Pro sport seats on removable pedestals - Aft of helm
- Lockable side rod locker, carpeted with storage tray - port & starboard
- Wash down pump
- Dual batteries with ACR system
- Dual bilge pumps with auto float

Life is better in a North River



PURSUIT	218	228	238
Length Overall	23'10"	24'10"	25'10"
Centerline Length	21'8"	22'8"	23'8"
Cabin Length/Height	70"/74"	70"/74"	70"/74"
Cockpit Length/Width	54"/86"	66"/86"	78"/86"
Beam	8'6"	8'6"	8'6"
Bottom	.250	.250	.250
Sides	35" x .160	35" x .160	35" x .160
Fuel Capacity - Gallons	50	70	80
Dry Weight - lbs	2,830	2,965	3,100
Person Capacity	6	6	6
Person Wt. Capacity	1,110	1,110	1,110
Max Wt. Capacity on water (Persons, Motors & Gear) - lbs	2,296	2,427	2,565
Max Horsepower*	350	350	450

\*Listed horsepower rating may require upgraded offshore bracket.

### Boat on Trailer Dimensions - Average Values\*

Highest Fixed Point	8'	8'	8'
Length Overall Coupler to Main Engine	32'	33'	34'

\*Make of trailer will affect actual values

**Pursuit**

- 218 - 21' 8" x 8' 6"
- 228 - 22' 8" x 8' 6"
- 238 - 23' 8" x 8' 6"



**Fabrication**

1010 - Plano storage box (Each - choose aft bow deck location)	
1181 - Bracket, trolling motor (Port swim deck)	
1189 - Brackets, shallow water anchor pole (Port & Starboard transom)	
1205 - Bracket, 1/2" offshore plate (400 HP - 450 HP single engine)	
1270P - Brackets, welded down rigger (Gunwales)	
1540P - Door, transom boarding (Starboard)	

**Outfitting**

3150C - Bow deck livewell, aerated, insulated and lighted	
3618 - Fuse Block, dedicated (Helm)	
5108 - Sensar Marine - Boat Monitor with Bilge Sentry	

**Steering**

HS 1 - Hydraulic steering system, single main engine	
HS YXC1 - Hydraulic steering system, Yamaha XC/XD single engine	

**Canvas**

270 - Cover, stern	
289 - Deluxe folding top with side and back drop curtains	

**Upholstery**

805 - Delete standard helm seat and pedestal - Each	
810 - Delete standard aft seat and removable pedestal - Each	
815 - Seat, aft bench storage (QTY 2) (Exch. standard aft seating)	
829 - Seat, casting with removable pedestal	
5067 - Mariner suspension seats with swivels (Port & Starboard helm). (No armrests)	



**See Dealer For Additional Options**

**Trailer & Outboard Engine Options - Dealer to provide pricing for appropriate equipment found within the 2026MY Dealer Sales Book**

Prices subject to change. Photos include items that may not be standard features or options. Options may not be available on all models.



# FASTBACK

## Key Features:

- Lifetime limited hull warranty
- Offshore bracket with welded Bomar hatch
- Welded kicker bracket (swim deck or transom)
- Center floor fish box in aft deck with drain & valve
- Welded .190 doubler plate on bow foredeck
- Boarding ladder with welded grab handle
- Color matched zolatone interior & two color full side paint
- Aluminum floors with floor grip
- Suspension helm seats
- Aft storage bench seats
- Fastback aluminum top with canvas forward fly and backdrop curtain
- Rear cowling storage boxes & center pylon receiver
- Wash down pump
- Dual batteries with ACR system
- Dual bilge pumps with auto float

Life is better in a North River



## Experience Superior Power and Style

This boat features a stunning, sleek design and offers the versatility of a partial or full hard top, available in various lengths. Built to impress with a 42° hull entry, 18° deadrise, and a robust .190 transom, this vessel also boasts an expansive 8'6" beam and a 29" interior side height.

FASTBACK	21'	22'	23'	24'	25'
Length Overall	23'2"	24'2"	25'2"	26'2"	27'2"
Centerline Length	21'	22'	23'	24'	25'
Cabin Length/Height	77"/76"	77"/76"	77"/76"	77"/76"	77"/76"
Cockpit Length/Width	66"/84"	78"/84"	90"/84"	102"/84"	114"/84"
Beam	8'6"	8'6"	8'6"	8'6"	8'6"
Bottom	.250	.250	.250	.250	.250
Sides	35" x .160	35" x .160	35" x .160	35" x .160	35" x .160
Fuel Capacity - Gallons	70	80	90	90	90
Dry Weight - lbs	2,880	2,900	3,060	3,110	3,250
Person Capacity	6	6	6	8	8
Person Wt. Capacity	1,110	1,110	1,110	1,480	1,480
Max Wt. Capacity on water (Persons, Motors & Gear) - lbs	2,668	2,985	3,247	3,526	3,789
Max Horsepower*	300	300	300	350	350

\*Listed horsepower rating may require upgraded offshore bracket.

### Boat on Trailer Dimensions - Average Values\*

Highest Fixed Point	10'2"	10'2"	10'2"	10'2"	10'2"
Length Overall Coupler to Main Engine	31'	32'	33'	34'	35'

\*Make of trailer will affect actual values

## Fastback

- 21' x 8'6"
- 22' x 8'6"
- 23' x 8'6"
- 24' x 8'6"
- 25' x 8'6"



## Fabrication

1015 - Aft station helm, console only	
1020 - Aft steering helm, single engine	
1020A - Aft steering helm, twin engine	
1045 - Plano storage inside console	
1060 - Anchor guards, diamond plate	
1270 - Brackets, welded down rigger (Pair at FWD stern rail)	
1360 - Net holder, welded (QTY 1) (Port or Starboard)	
1540 - Door, transom boarding (Starboard)	
1541 - Bait box, transom cowling (Requires option #1540)	
1542 - Trim lip, aluminum at rear cowling	
1620 - Rear cowling storage box, single large box (Ski pylon deleted)	
1640 - Fish box, anchor locker in bow	
1964 - Full aluminum skinned top (Exch. canvas fly)	
1966 - Spotter door with DSG window	
1968 - Alaskan bulkhead with DSG hinged door (Exch. back drop curtain)	
2160 - Rod holder, welded roof-mounted (QTY 6)	
2165B - Rod holder (QTY 3) welded to net holder (QTY 1) (Port and Starboard)	
2280 - Ski pylon removable post (33")	
2285 - Insulate fish box sides and bottom (Per fish box option)	

## Canvas

270 - Cover, stern	
--------------------	--

## Upholstery

320 - Cushions, sleeper	
-------------------------	--

## Paint Colors

4120C - Custom lower paint color, for standard two color full side paint	
--	--

## Outfitting

3150A - Aerate, rear cowling storage box (Port)	
3220 - Light, LED rear deck (QTY 1)	
3382 - Dual USB-A/C combo charger (Each) (Portside)	
3400 - Pump, Whale Gulper pump for in-floor fish box	
3618 - Fuse Block, dedicated (Helm)	
3795 - Porta-Potti with privacy curtains in starboard seat box with bolt-on backrest	
5098 - Seakeeper Ride 450 (<26')	
5103 - Seakeeper Ride Keypad with Ethernet Cable - Choose MFD Cable: (Garmin, Ray Marine, or Simrad)	
5108 - Sensar Marine - Boat Monitor with Bilge Sentry	

## Steering

HS 1 - Hydraulic steering system, single main engine	
HS 2 - Hydraulic steering system, twin main engines	
HS YXC1 - Hydraulic steering system, Yamaha XC/XD single engine	
HS YXC2 - Hydraulic steering system, Yamaha XC/XD twin engines	



## See Dealer For Additional Options

**Trailer & Outboard Engine Options - Dealer to provide pricing for appropriate equipment found within the 2026MY Dealer Sales Book**

Prices subject to change. Photos include items that may not be standard features or options. Options may not be available on all models.



# HARD TOP

## Key Features:

- Lifetime limited hull warranty
- Offshore bracket with welded Bomar hatch
- Welded kicker bracket (swim deck or transom)
- Center floor fish box in aft deck with drain & valve
- Welded .190 doubler plate on bow foredeck
- Boarding ladder with welded grab handle
- Fully enclosed hard top cabin with DSG door aft
- Zolatone interior & two color full side paint
- Aluminum floors with floor grip
- Suspension helm seats
- Aft storage bench seats
- Rear cowling storage boxes & center pylon receiver
- Wash down pump
- Dual batteries with ACR system
- Dual bilge pumps with auto float

**Life is better in a North River**



## Sleek Lines. Refreshed Design.

Crafted from premium marine-grade aluminum, the precision-welded hull has a 42° entry and 18° deadrise for optimal ride quality and performance. A .190 transom and 29" interior side height enhance its design. The expansive rear deck and Hard Top ensure ample space and a smooth, comfortable ride.

HARD TOP	23'	24'	25'
Length Overall	25'2"	26'2"	27'2"
Centerline Length	23'	24'	25'
Cabin Length/Height	84"/74"	84"/74"	84"/74"
Cockpit Length/Width	84"/84"	96"/84"	108"/84"
Beam	8'6"	8'6"	8'6"
Bottom	.250	.250	.250
Sides	35" x .160	35" x .160	35" x .160
Fuel Capacity - Gallons	90	90	90
Dry Weight - lbs	3,060	3,110	3,250
Person Capacity	6	8	8
Person Wt. Capacity	1,110	1,480	1,480
Max Wt. Capacity on water (Persons, Motors & Gear) - lbs	3,247	3,526	3,789
Max Horsepower*	300	350	350

\*Listed horsepower rating may require upgraded offshore bracket.

## Boat on Trailer Dimensions - Average Values\*

Highest Fixed Point	10'8"	10'8"	10'8"
Length Overall Coupler to Main Engine	33'	34'	35'

\*Make of trailer will affect actual values

**Hard Top**

- 23' x 8'6"
- 24' x 8'6"
- 25' x 8'6"



**Fabrication**

1015 - Aft station helm, console only	
1020 - Aft steering helm, single-engine	
1020A - Aft steering helm, twin engine	
1045 - Plano storage inside console	
1060 - Anchor guards, diamond plate	
1270 - Brackets, welded down rigger (Pair at FWD stern rail)	
1350 - Radar arch, welded to roof	
1360 - Net holder, welded (QTY 1) (Port or Starboard)	
1540 - Door, transom boarding (Starboard)	
1541 - Bait box, transom cowling (Requires option #1540)	
1542 - Trim lip, aluminum at rear cowling	
1620 - Rear cowling storage box, single large box (Ski pylon deleted)	
2160 - Rod holder, welded roof-mounted (QTY 6)	
2165B - Rod holder (QTY 3) welded to net holder (QTY 1) (Port and Starboard)	
2280 - Ski pylon removable post (33")	
2285 - Insulate fish box sides and bottom (Per fish box option)	

**Outfitting**

3150A - Aerate, rear cowling storage box (Port)	
3220 - Light, LED rear deck (QTY 1)	
3382 - Dual USB-A/C combo charger (Each) (Portside)	
3400 - Pump, Whale Gulper pump for in-floor fish box	
3618 - Fuse Block, dedicated (Helm)	
3795 - Porta-Potti with privacy curtains in starboard seat box with bolt-on backrest	
5098 - Seakeeper Ride 450 (<26')	
5103 - Seakeeper Ride Keypad with Ethernet Cable - Choose MFD Cable: (Garmin, Ray Marine, or Simrad)	
5108 - Sensar Marine - Boat Monitor with Bilge Sentry	

**Steering**

HS 1 - Hydraulic steering system, single main engine	
HS 2 - Hydraulic steering system, twin main engines	
HS YXC1 - Hydraulic steering system, Yamaha XC/XD single engine	
HS YXC2 - Hydraulic steering system, Yamaha XC/XD twin engines	

**Canvas**

270 - Cover, stern	
950 - Back drop curtain, (Exch. Alaskan bulkhead)	

**Upholstery**

320 - Cushions, sleeper	
-------------------------	--

**Paint Colors**

4060 - Color matched Zolatone (Cabin, gunwales & aft deck)	
4120C - Custom lower paint color, for standard two color full side paint	



**See Dealer For Additional Options**

**Trailer & Outboard Engine Options - Dealer to provide pricing for appropriate equipment found within the 2026MY Dealer Sales Book**

Prices subject to change. Photos include items that may not be standard features or options. Options may not be available on all models.



# SEAHAWK INBOARD

## Key Features:

- Lifetime limited hull warranty
- Diamond plate swim platform
- Deluxe heater & defroster with 4 adjustable outlets
- Welded .190 doubler plate on bow foredeck
- Color matched zolatone interior paint with clear coat
- One color full side paint and transom paint with clear coat
- Aluminum floors with floor grip
- Suspension helm seats
- Aft storage bench seats
- Deluxe folding top
- Dual Odyssey dry cell batteries with selector switch
- Dual bilge pumps with auto float
- 5.3L (DIC) EPA – 340HP with Hamilton Jet 214 or equivalent (22'-23' lengths)
- 6.2L (DIC) EPA – 400HP with Hamilton Jet 214 or equivalent (24'-25' lengths)

Life is better in a North River



## Fishing Meets Recreational Luxury

Dive into the ultimate blend of fishing and recreational luxury. With a 42° hull entry, 18° deadrise, and a robust .190 transom, this boat is celebrated by fishing purists for its unmatched comfort, smooth ride, and spacious stability. The 29" interior side height adds to its impressive design.

SEAHAWK INBOARD	22'	23'	24'
Length Overall	22'	23'	24'
Cabin Length/Height	83"/74"	83"/74"	91"/74"
Cockpit Length/Width	73"/84"	85"/84"	89"/84"
Beam	8'6"	8'6"	8'6"
Bottom	.250	.250	.250
Sides	35" x .160	35" x .160	35" x .160
Fuel Capacity - Gallons	73	91	97
Dry Weight - lbs	3,620	3,950	4,155
Person Capacity	8	8	8
Person Wt. Capacity	1,480	1,480	1,480
Max Wt. Capacity on water (Persons, Motors & Gear) - lbs	3,672	3,896	4,060

### Boat on Trailer Dimensions - Average Values\*

Highest Fixed Point	8'	8'	8'
Length Overall Coupler to Main Engine	28'2"	29'2"	29'2"

\*Make of trailer will affect actual values

## Seahawk Inboard

- 22' x 8'6"
- 23' x 8'6"
- 24' x 8'6"



### Engine & Jet

3275 - KEM 6.2L (DIC) EPA 400HP upgrade, with Hamilton 214 jet	
3280 - KEM 454LSX (PFI) EPA 500HP upgrade, with Hamilton 214 jet	
3280A - KEM 454LSX (PFI) EPA 500HP & Hamilton 241 jet upgrade	
3290 - KEM 6.2L LT4 SC 600HP & Hamilton 241 jet upgrade	
3294 - KEM 454LSX (PFI) EPA 500HP upgrade, with Hamilton 214 (24' SH IB)	
3294A - KEM 454LSX (PFI) EPA 500HP & Hamilton 241 jet upgrade (24' SH IB)	
3295 - KEM 6.2L LT4 SC 600HP & Hamilton 241 jet upgrade (24' SH IB)	

### Outfitting

3420 - Pump, wash down	
3450 - Sand trap, KEM	
3455 - Stomp grate	
3618 - Fuse Block, dedicated (Helm)	
3795 - Porta- Potti with privacy curtains in starboard seat box with bolt-on backrest	
5108 - Sensar Marine - Boat Monitor with Bilge Sentry	

### Fabrication

1060 - Anchor guards, diamond plate	
1185 - Bracket, trolling motor welded to transom (Port)	
1270 - Brackets, welded down rigger (Pair at FWD stern rail)	
2285 - Insulate fish box sides and bottom (Per fish box option)	

### Canvas

270 - Cover, stern	
890D - Rigid top frame, removable (Exch. folding top). Includes: LED folding mast, dome & rear deck lights. Welded net & rod holders (Port and Starboard)	

### Upholstery

320 - Cushions, sleeper	
390B- Seat boxes, with cushioned lids, backrests fore & NR2 seats aft (QTY 2)	

### Paint Colors

4120 - Two color full side	
----------------------------	--



## See Dealer For Additional Options

**Trailer & Outboard Engine Options - Dealer to provide pricing for appropriate equipment found within the 2026MY Dealer Sales Book**

Prices subject to change. Photos include items that may not be standard features or options. Options may not be available on all models.



# COMMANDER

## Key Features:

- Lifetime limited hull warranty
- Diamond plate swim platform
- Deluxe heater & defroster with 4 adjustable outlets
- Welded .190 doubler plate on bow foredeck
- Color matched zolatone interior paint with clear coat
- One color full side paint & transom paint with clear coat
- Aluminum floors with floor grip
- Suspension helm seats
- Aft storage bench seats
- Deluxe folding top
- Dual Odyssey dry cell batteries with selector switch
- Dual bilge pumps with auto float
- 5.3L (DIC) EPA - 340HP with Hamilton Jet 214 or equivalent

Life is better in a North River



## Experience Superior Power and Style

Unleash the power of ultimate speed and unmatched performance. With a 22° hull entry and a 12° deadrise across all models, this boat represents the pinnacle of heavy gauge aluminum craftsmanship—tough, safe, and stunningly beautiful. Featuring a robust .190 transom and a 26" interior side height, it's built to excel in any marine environment.

COMMANDER	21'	22'	23'	24'	25'
Length Overall	21'6"	22'	23'	24'	25'
Cabin Length/Height	83"/72"	83"/72"	83"/72"	91"/72"	91"/72"
Cockpit Length/Width	85"/78"	97"/81"	109"/81"	113"/87"	125"/87"
Beam	8'2"	8'6"	8'6"	9'	9'
Bottom	.250	.250	.250	.250	.250
Sides	33" x .160	33" x .160	33" x .160	33" x .160	33" x .160
Fuel Capacity - Gallons	65	73	83	83	88
Dry Weight - lbs	3,000	3,190	3,550	3,950	4,300
Person Capacity	8	8	8	8	8
Person Wt. Capacity	1,480	1,480	1,480	1,480	1,480
Max Wt. Capacity on water (Persons, Motors & Gear) - lbs	2,807	2,885	3,044	3,195	3,356

### Boat on Trailer Dimensions - Average Values\*

Highest Fixed Point	8'	8'	8'	8'	8'
Length Overall Coupler to Main Engine	27'4"	27'10"	28'6"	29'10"	30'10"

\*Make of trailer will affect actual values

## Commander

- 21'6" x 8'2"
- 22' x 8'6"
- 23' x 8'6"
- 24' x 9'
- 25' x 9'



### Engine & Jet

3275 - KEM 6.2L (DIC) EPA 400HP upgrade, with Hamilton 214 jet	
3280 - KEM 454LSX (PFI) EPA 500HP upgrade, with Hamilton 214 jet	
3280A - KEM 454LSX (PFI) EPA 500HP & Hamilton 241 jet upgrade	
3290 - KEM 6.2L LT4 SC 600HP & Hamilton 241 jet upgrade	

### Paint Colors

4120 - Two color full side	
----------------------------	--

### Outfitting

3420 - Pump, wash down	
3450 - Sand trap, KEM	
3455 - Stomp grate	
3618 - Fuse Block, dedicated (Helm)	
3795 - Porta- Potti with privacy curtains in starboard seat box with bolt-on backrest	
5108 - Sensar Marine - Boat Monitor with Bilge Sentry	

### Fabrication

1060 - Anchor guards, diamond plate	
1185 - Bracket, trolling motor welded to transom (Port)	
1270C - Brackets, welded down rigger (Pair at aft stern rail)	
1430 - 8" Cleats, weld on (QTY 5) (Exch. chrome cleats)	
1660 - Fish box, in bow	
2285 - Insulate fish box sides and bottom (Per fish box option)	

### Canvas

270 - Cover, stern	
890D - Rigid top frame, removable (Exch. folding top). Includes: LED folding mast, dome & rear deck lights. Welded net & rod holders (Port and Starboard)	

### Upholstery

320 - Cushions, sleeper	
390B- Seat boxes, with cushioned lids, backrests fore & NR2 seats aft (QTY 2)	



**See Dealer For Additional Options**

**Trailer & Outboard Engine Options - Dealer to provide pricing for appropriate equipment found within the 2026MY Dealer Sales Book**

Prices subject to change. Photos include items that may not be standard features or options. Options may not be available on all models.



# OSPREY

## Key Features:

- Lifetime limited hull warranty
- Offshore bracket with welded Bomar hatch
- Welded kicker bracket (swim deck or transom)
- In floor fish box aft of center console with dedicated drain & control valve
- Welded .190 doubler plate on bow foredeck
- Step deck with fish box rear (single lid with 70/30 divider in box) & dry storage box forward
- Zolatone interior & one color full side paint and transom paint with clear coat
- Aluminum floors with floor grip
- Fish Pro seats on 18" x 20" aluminum boxes
- Center console with aft locking door & inner storage tray
- Rear cowling storage boxes & center pylon receiver
- Full-length side trays with rod retainers
- Heavy-duty marine batteries (cranking and house) with on/off switch and ACR
- Bilge pump with auto float switch

**Life is better in a North River**



## Navigate Any Water with Confidence

Experience precise control and abundant space, effortlessly filling multiple fish boxes. The Osprey showcases North River's evolution in design and construction, featuring a 42° hull entry, 18° deadrise, a sturdy .190 transom, and a generous 29" interior side height.

OSPREY	22'	24'
Length Overall	24'2"	26'2"
Centerline Length	22'	24'
Bow Step Deck Length	60"	60"
Main Floor Length	158"	182"
Beam	8'6"	8'6"
Bottom	.250	.250
Sides	35" x .160	35" x .160
Fuel Capacity - Gallons	70	70
Dry Weight - lbs	2,600	2,910
Person Capacity	6	7
Person Wt. Capacity	1,110	1,295
Max Wt. Capacity on water (Persons, Motors & Gear) - lbs	2,978	3,497
Max Horsepower*	300	350

\*Listed horsepower rating may require upgraded offshore brackets.

### Boat on Trailer Dimensions - Average Values\*

Highest Fixed Point	7'	7'
Length Overall Coupler to Main Engine	32'	34'

\*Make of trailer will affect actual values

**Osprey**

- 22' x 8'6"
- 24' x 8'6"



**Fabrication**

1045 - Plano storage inside console	
1060 - Anchor guards, diamond plate	
1070 - Anchor locker/storage box (Fore deck)	
1087 - Boarding ladder, welded w/ grab handle (Starboard)	
1270P - Brackets, welded down rigger (Gunwales)	
1540 - Door, transom boarding (Starboard)	
1541 - Bait box, transom cowling (Requires option #1540)	
1542 - Trim lip, aluminum at rear cowling	
1620 - Rear cowling storage box, single large box (Ski pylon deleted)	
1735 - Fish box, split dual lid (70 Port / 30 Starboard)	
2193 - Rod locker, top loading (QTY 1) (Port or Starboard)	
2280 - Ski pylon removable post (33")	
2285 - Insulate fish box sides and bottom (Per fish box option)	
2470 - Trays, dual side	
2475 - Fold down windshield for center console	

**Paint Colors**

4120 - Two color full side	
----------------------------	--

**Outfitting**

3150A - Aerate, rear cowling storage box (Port)	
3410 - Pump, wash down (Fish box at step deck)	
3433 - Pumps, bilge dual	
3803 - Trim tabs, (Lectro)	
5108 - Sensar Marine - Boat Monitor with Bilge Sentry	

**Steering**

HS 1 - Hydraulic steering system, single main engine	
HS 2 - Hydraulic steering system, twin main engines	
HS YXC1 - Hydraulic steering system, Yamaha XC/XD single engine	
HS YXC2 - Hydraulic steering system, Yamaha XC/XD twin engines	

**Upholstery**

410 - Seat box slider brackets (QTY 2)	
470A - Seat, 4 leg stand with Fish Pro 1	
501A - Seat, NR2 captain (Each) (Exchange Fish Pro 1)	



**See Dealer For Additional Options**

**Trailer & Outboard Engine Options - Dealer to provide pricing for appropriate equipment found within the 2026MY Dealer Sales Book**  
 Prices subject to change. Photos include items that may not be standard features or options. Options may not be available on all models.



# SCOUT

## Key Features:

- Lifetime limited hull warranty
- 14" transom tray with three-door transom storage area
- Electronics box (portside)
- Welded .190 doubler plate on bow foredeck
- Step deck with fish box rear & dry storage box forward
- Zolatone interior paint with clear coat, one color full side vinyl
- Aluminum floors with floor grip
- Fish Pro seats on 18" x 20" aluminum boxes
- Full-length side trays with rod retainers
- Heavy-duty marine cranking battery with on/off switch
- Bilge pump

**Life is better in a North River**



## Discover the Freedom of Open Skies

Embark on your fishing adventures aboard the top-tier open fishing vessel on the market. Featuring a 22° hull entry, 12° deadrise, a sturdy .190 transom, and a comfortable 26" interior side height, this boat is designed to exceed your expectations.

SCOUT	23'	25'
Length Overall	23'	25'
Bow Step Deck Length	60"	60"
Main Floor Length	167"	191"
Beam	9'	9'
Bottom	.250	.250
Sides	33" x .160	33" x .160
Fuel Capacity - Gallons	60	60
Dry Weight - lbs	2,875	3,225
Person Capacity	7	8
Person Wt. Capacity	1,295	1,480
Max Wt. Capacity on water (Persons, Motors & Gear) - lbs	2,125	2,345
Max Horsepower	250	300

### Boat on Trailer Dimensions - Average Values\*

Highest Fixed Point	7'	7'
Length Overall Coupler to Main Engine	30'	32'

\*Make of trailer will affect actual values

**Scout**

- 23' x 9'
- 25' x 9'



**Fabrication**

1060 - Anchor guards, diamond plate	
1070 - Anchor locker/storage box (Fore deck)	
1093 - Box, electronics (Starboard)	
1270P - Brackets, welded down rigger (Gunwales)	
1610B - Finger wash (Side or transom tray) (Port or Starboard)	
1720 - Fish box, split w/ single lid (70 Port / 30 Starboard)	
1730 - Fish box, split w/ dual lid (70 Port / 30 Starboard)	
2193 - Rod locker, top loading (QTY 1) (Port or Starboard)	
2285 - Insulate fish box sides and bottom (Per fish box option)	
2410 - Transom height, 31"	
2420 - Transom saddle cut, 26" to 21"	
2443 - Transom upgrade, full width 14" tray	
2453 - Transom upgrade, full width 14" tray Portside to 8" Starboard	
2470 - Trays, dual side	

**Upholstery**

470A - Seat, 4 leg stand with Fish Pro 1	
501A - Seat, NR2 captain (Each) (Exchange Fish Pro 1)	

**Paint/ Vinyl Colors**

4133 - Paint upgrade over standard vinyl, one color full side paint	
4134 - Paint upgrade over standard vinyl, two color full side paint	
4140 - Two color full side vinyl	

**Outfitting**

3150B - Fish box, aerate in bow	
3410 - Pump, wash down (Fish box at step deck)	
5108 - Sensar Marine - Boat Monitor with Bilge Sentry	



**See Dealer For Additional Options**

**Trailer & Outboard Engine Options - Dealer to provide pricing for appropriate equipment found within the 2026MY Dealer Sales Book**

Prices subject to change. Photos include items that may not be standard features or options. Options may not be available on all models.



# OFFSHORE S

## Key Features:

- Lifetime limited hull warranty
- Offshore bracket with welded Bomar hatch
- Aluminum self-bailing deck includes fish box & floor grip non-skid surface
- Full hard top with Alaskan bulkhead, heavy-duty sliding door, & cabin windows
- Boarding ladder with welded grab handle
- One color painted side stripe to waterline with clear coat
- Cabin exterior, aft deck, cabin interior, & cuddy trunk - Marble Stone Zolatone
- Suspension helm seats
- Electronics box, full over-head electronics box above helm from port to starboard
- Enclosed v-berth storage with locking doors, upholstered headliner, and marine carpet. Includes: v-berth sleeper cushions
- Rear cowl storage
- Wash down pump
- Triple bank battery system (Dual HD cranking marine batteries & single house battery with selector switch and ACR)
- Bilge pump with auto-float

Life is better in a North River



## Eat. Fish. Sleep. Repeat.

This boat enhances stability in rough waters, ensuring a secure and dry fishing experience. Plus, enjoy options for larger fuel and/or fish hold capacity. Boasting a 55° hull entry, 20° deadrise, .250 transom, and 28" interior side height, it's a reliable companion for any excursion.

OFFSHORE S	2500S	2700S
Length Overall	28'4"	30'4"
Centerline Length	25'	27'
Cabin Length/Height	84"/80"	84"/80"
Cockpit Length/Width	101"/92"	125"/92"
Beam	8'6"	8'6"
Bottom	.250	.250
Sides	37" x .190	37" x .190
Fuel Capacity - Gallons	124	160
Dry Weight - lbs	5,000	5,700
Person Capacity	6	8
Person Wt. Capacity	1,110	1,480
Max Wt. Capacity on water (Persons, Motors & Gear) - lbs	4,175	4,728
Max Horsepower*	500	600

\*Listed horsepower rating may require upgraded offshore bracket.

## Boat on Trailer Dimensions - Average Values\*

Highest Fixed Point	11'	11'
Length Overall Coupler to Main Engine	35'	37'

\*Make of trailer will affect actual values

## Offshore S

- 25' x 8' 6" Offshore 2500S
- 27' x 8' 6" Offshore 2700S



### Fabrication

1015 - Aft station helm, console only	
1020 - Aft steering helm, single engine	
1020A - Aft steering helm, twin engine	
1045 - Plano storage inside console	
1050 - Beaching plate	
1101 - Toe kick, welded	
1103 - Crab pot protector (Starboard only)	
1109 - Transom, upgrade to 30"	
1199 - Bracket, offshore single engine 350HP ↑	
1200B - Bracket, offshore for twin engine	
1200C - Bracket, offshore with 1/2" plate (Over 800 HP, twin engine)	
1220 - Bracket, welded swim deck kicker (Port)	
1270 - Brackets, welded down rigger (Pair at FWD stern rail)	
1300 - Inside Passage bulkhead with footrest riser & extended sleeper cushion. (Port only) Curtain replaces V-berth doors & bulkhead.	
1455 - Cabin aft overhang, extended to 36" center length	
1456 - Cabin aft overhang, raised 4" & extended to 36" center length	
1500 - Door, walk thru bow (Cuddy & V-berth eliminated)	
1530 - Door, side boarding (Port)	
1542 - Trim lip, aluminum at rear cowling	
1545 - Door, transom boarding (Starboard)	
1621A - Rear cowling storage box, single with shoe box lid	
1622A - Rear cowling storage box, two with shoe box lids	
1760 - Fish boxes, side mounted floor w/ Forespar shut off ball valve (QTY 2)	
1761A - Fish boxes, side mounted floor w/ Whale Gulper pumps (QTY 2)	
1800 - Ladder, roof top (Port or Starboard)	
1820 - Fold out steps, roof top access (QTY 2)	
2121 - Rails, welded 6" full wrap stern rails (Fore or aft of transom cowling)	
2165C - Rod holder (QTY 3) welded to net holder (QTY 1) (Port and Starboard)	
2200 - Rub Rails, (1 Port & 1 Starboard)	
2200B - Rub rails, upper & lower (2 Port & 2 Starboard)	

### Fabrication

2220 - Rod holders, welded to fore side of roof top rod holder assembly (QTY 4)	
2225 - Rose bud cleats, welded aft deck (QTY 4)	
2285 - Insulate fish box sides and bottom (Per fish box option)	
2600 - Frontier davit, at AKBH thru aft cabin overhang Includes: fabrication of davit, enclosure and paint (Dealer supplied winch / hauler)	
2600B - Frontier davit, at AKBH thru aft cabin overhang Includes: fabrication of davit, enclosure and paint (Factory supplied Electro-Dyne winch / hauler)	
2610 - Dinghy Hoist / Davit with winch #EMD2000SSRP (Thru aft cabin overhang) NOTE: Aft station option required.	
GX3 - Lone Star GX3 Drum Anchor Winch - up to 30ft.	
GX4 - Lone Star GX4 Drum Anchor Winch - up to 40ft.	
GX-A - Lone Star GX3 & GX4 Drum Anchor Winch Welded Provisions - ONLY	
SK-1 - Seakeeper 1, installed in floor fish hold (Shore power option required)	
SK-A - Welded structure provisions only for Dealer installed Seakeeper	
5012 - Outrigger boss mounting plate (QTY 1) - AFT roof overhang Port & Starboard	

### Canvas

273 - Cover, stern	
--------------------	--

### Upholstery

330 - Cushions, sleeper custom (Requires opposing bench seat)	
580 - Seat, flip up with snap on cushions (Each) (Aft deck)	
625 - Swivels, installed on helm seats (Port & Starboard)	
710 - Seat, Ocean Master	

### Paint Colors

4060 - Color matched Zolatone (Cabin, gunwales & aft deck)	
4115 - One color full side paint to chine	
4135 - Two color side paint to chine	
5089 - Alaskan Painted Trim Package - Lillith Zolatone w/flat clear (30-59)	

**See Dealer For Additional Options**



**Outfitting**

3002 - Anchor windlass, Lofrans LION 1000 1/4" horizontal gypsy	
3002A - Foot switches for Lofrans LION 1000 windlass	
3150A - Aerate, rear cowling storage box (Port)	
3175 - Heater / defroster, Wallas Viking (7' & 9' cabin)	
3220 - Light, LED rear deck (QTY 1)	
3230 - Light, LED courtesy at aisle way (QTY 4)	
3240 - Switch panel, additional eight switch panel	
3245 - Bow thruster, Side Power SE40/125s single prop 88lb thrust - Includes: Joystick, GRP 27 Battery & 1 Bank charging system (Requires shore power)	
3247 - Bow thruster, flat panel thruster control (second station)	
3382 - Dual USB-A/C combo charger (Each) (Portside)	
3400A - Pump, Whale Gulper pump for in-floor fish box (Single engine)	
3400B - Pump, Whale Gulper pump for in-floor fish box (Twin engine)	
3431 - Alarm, high water	
3435 - Pump, bilge, second 2200 GPH bilge pump	
3441 - Refrigerator, drawer Isotherm Cruise 65 SS, 2.3 Cu Ft., AC/DC (Requires 24" cabinet)	
3443 - Refrigerator, drawer Isotherm Cruise 130 SS w/Freezer, 4.6 Cu Ft., AC/DC NOTE: Requires 24" cabinet and cannot have sink or stove above unit	
3444 - Refrigerator, drawer Isotherm Cruise 85 SS, 3.0 Cu. Ft., AC/DC (Requires 24" cabinet)	
3600 - Shore power for 3 batteries with 3 bank charging system	
3610 - Shore power and upgrade to 4 batteries with 4 bank charging system	
3630 - Shore power, Freedom XC Pro Marine 2000w Inverter w/ 4 batteries & 4 bank charging system	
3690 - Sink, large, w/ faucet & 10 gallon tank (Requires 24" cabinet)	
3691 - Sink, small, w/ faucet & 10 gallon tank (Requires 12" cabinet)	
3695 - Water tank, 18 gallon upgrade (Exch. 10 gallon tank)	
3720B - Spotlight, Go Light Stryker with remote	
3750 - Stove, Wallas Nordic Dt diesel with blower lid for cabin heat (Requires 24" cabinet)	

**Outfitting**

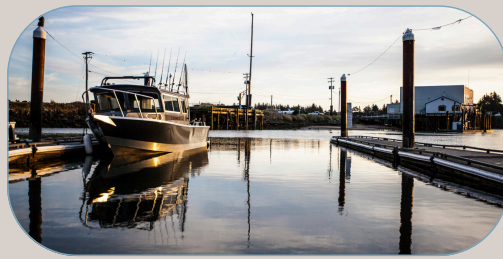
3751 - Diesel tank, 5 gal. aluminum tank w/ external fill & dash fuel gauge	
3770 - Toilet, flushing centered inside cuddy	
3820 - Water test, pre dealer delivery	
3825 - Windshield wiper washer system	
3830A - Fresh water system, wash down & 18 gallon tank	
3830B - Fresh water system with sink & faucet, wash down & 18 gallon tank	
3840 - Hot fresh water shower system, w/ S600EW heater, 30 gallon tank & drain sump	
3845 - Head drain, with Attwood sump pump (Requires stand up head)	
5006 - Bait tank plumbing and installation of Dealer supplied bait tank.	
5006-A - Bait tank plumbing - Provisions Only.	
5006-B - Bait tank wiring system to run continuously over night when at dock - Provisions Only.	
5098 - Seakeeper Ride 450 (<26')	
5099 - Seakeeper Ride 525 (27'-30')	
5103 - Seakeeper Ride Keypad with Ethernet Cable - Choose MFD Cable: (Garmin, Ray Marine, or Simrad)	
5108 - Sensar Marine - Boat Monitor with Bilge Sentry	

**Steering**

HS 1 - Hydraulic steering system, single main engine	
HS 2 - Hydraulic steering system, twin main engines	
HS YXC1 - Hydraulic steering system, Yamaha XC/XD single engine	
HS YXC2 - Hydraulic steering system, Yamaha XC/XD twin engines	

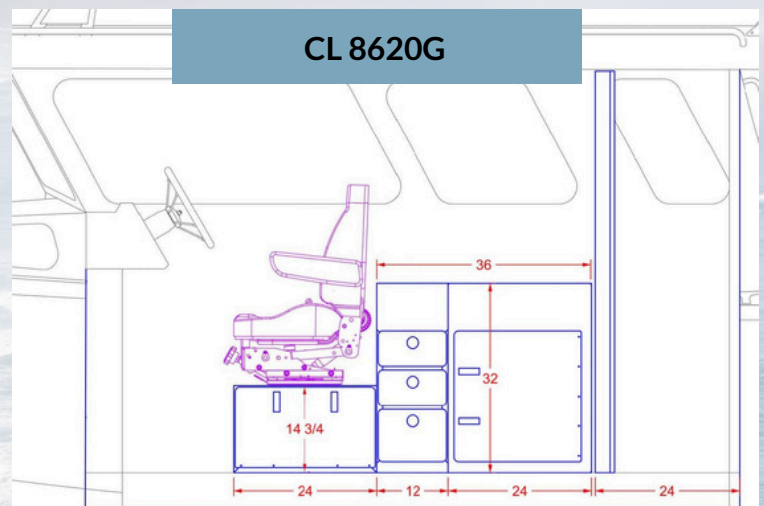
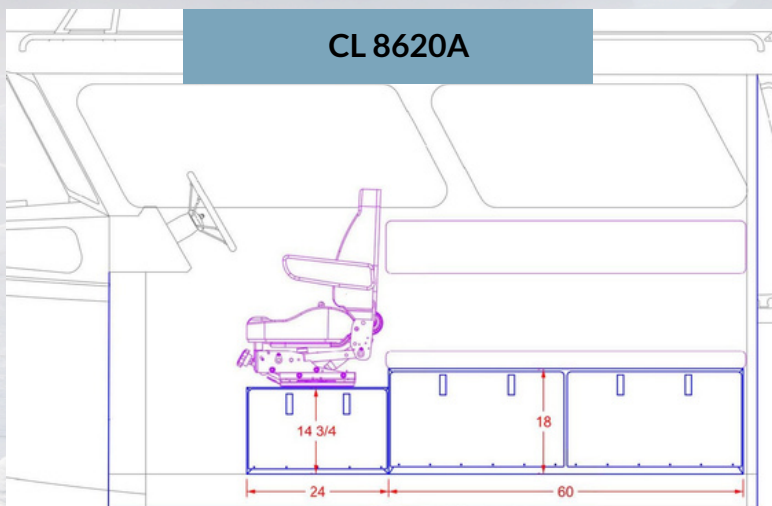
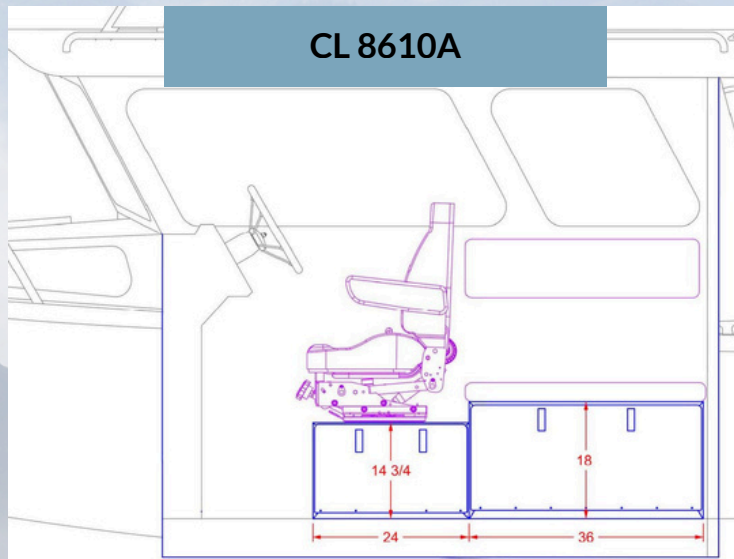
**Fuel and Fish Hold For 7' & 9' Cabin**

170G-0FB.25 - 170 Gallon fuel tank & DELETE Fish hold (2500S with 7' cabin only)	
120G-36FB.27 - 120 Gallon fuel tank & 36" Fish hold (2700S with 7' cabin only)	
200G-0FB.27 - 200 Gallon fuel tank & DELETE Fish hold (2700S with 7' cabin only)	
120G-24FB.27 - 120 Gallon fuel tank & 24" Fish hold (2700S with 9' cabin only)	
170G-0FB.27 - 170 Gallon fuel tank & DELETE Fish hold (2700S with 9' cabin only)	



**Cabin Layouts - Choose a Port & Starboard Layout Option**

<b>7' CABIN</b>	
CL 8610A - (1) Storage seat box (36") w/cushion and back rest	
<b>9' CABIN (Includes 9' length upgrade)</b>	
CL 8620A - (1) Storage seat box (60") w/cushion and back rest (Aft of helm)	
CL 8620G - (1) Galley cabinet (36") & (1) Stand up flushing toilet (24") Aisle facing	



**See Dealer For Additional Options**

**Trailer & Outboard Engine Options - Dealer to provide pricing for appropriate equipment found within the 2026MY Dealer Sales Book**

Prices subject to change. Photos include items that may not be standard features or options. Options may not be available on all models.



# OFFSHORE SXL

## Key Features:

- Lifetime limited hull warranty
- Offshore bracket with welded Bomar hatch
- Aluminum self-bailing deck includes fish box & floor grip non-skid surface
- Full hard top with Alaskan bulkhead, heavy-duty sliding door, & cabin windows
- Boarding ladder with welded grab handle
- One color painted side stripe to waterline with clear coat
- Cabin exterior, aft deck, cabin interior, & cuddy trunk - Marble Stone Zolatone
- Suspension helm seats
- Electronics box, full over-head electronics box above helm from port to starboard
- Enclosed v-berth storage with locking doors, upholstered headliner, and marine carpet. Includes: v-berth sleeper cushions
- Rear cowl storage
- Wash down pump
- Triple bank battery system (Dual HD cranking marine batteries and single house battery with selector switch & ACR)
- Bilge pump with auto float

**Life is better in a North River**



## Wake Up. Fish. Excitement Ahead.

Easily navigate any waterway with confidence. Customize your experience with options for larger fuel and/or fish hold capacity. Equipped with a 55° hull entry, 24° deadrise, .250 transom, and 28" interior side height, it's engineered for superior performance and comfort on the water.

OFFSHORE SXL	2700SXL	2900SXL	3100SXL
Length Overall	30'3"	32'3"	34'3"
Centerline Length	27'	29'	31'
Cabin Length/Height	108"/80"	108"/80"	108"/80"
Cockpit Length/Width	92"/104"	116"/104"	140"/104"
Beam	9'6"	9'6"	9'6"
Bottom	.250	.250	.250
Sides	42" x .190	42" x .190	42" x .190
Fuel Capacity - Gallons	160	170	200
Dry Weight - lbs	6,300	6,750	7,215
Person Capacity	8	8	10
Person Wt. Capacity	1,480	1,480	1,850
Max Wt. Capacity on water (Persons, Motors & Gear) - lbs	7,000	7,425	7,813
Max Horsepower*	600	600	900

\*Listed horsepower rating may require upgraded offshore bracket.

## Boat on Trailer Dimensions - Average Values\*

Highest Fixed Point	11'6"	11'6"	11'6"
Length Overall Coupler to Main Engine	37'	39'	41'

\*Make of trailer will affect actual values

## Offshore SXL

- 27' x 9' 6" Offshore 2700SXL
- 29' x 9' 6" Offshore 2900SXL
- 31' x 9' 6" Offshore 3100SXL



### Fabrication

1015 - Aft station helm, console only	
1020 - Aft steering helm, single engine	
1020A - Aft steering helm, twin engine	
1045 - Plano storage inside console	
1050 - Beaching plate	
1101 - Toe kick, welded	
1103 - Crab pot protector (Starboard only)	
1109 - Transom, upgrade to 30"	
1199 - Bracket, offshore single engine 350HP ↑	
1200B - Bracket, offshore for twin engine	
1200C - Bracket, offshore with 1/2" plate (Over 800 HP, twin engine)	
1220 - Bracket, welded swim deck kicker (Port)	
1270 - Brackets, welded down rigger (Pair at FWD stern rail)	
1300 - Inside Passage bulkhead with footrest riser & extended sleeper cushion. (Port only) Curtain replaces V-berth doors & bulkhead.	
1455 - Cabin aft overhang, extended to 36" center length	
1456 - Cabin aft overhang, raised 4" & extended to 36" center length	
1500 - Door, walk thru bow (Cuddy & V-berth eliminated)	
1530 - Door, side boarding (Port)	
1542 - Trim lip, aluminum at rear cowling	
1545 - Door, transom boarding (Starboard)	
1621A - Rear cowling storage box, single with shoe box lid	
1622A - Rear cowling storage box, two with shoe box lids	
1622C - Transom cowling storage: Two drop ins, welded at top of cowling, with shoe box lids. One large - centered & one smaller - portside.	
1760 - Fish boxes, side mounted floor w/ Forespar shut off ball valve (QTY 2)	
1761A - Fish boxes, side mounted floor w/ Whale Gulper pumps (QTY 2)	
1800 - Ladder, roof top (Port or Starboard)	
1820 - Fold out steps, roof top access (QTY 2)	
2121 - Rails, welded 6" full wrap stern rails (Fore or aft of transom cowling)	
2165C - Rod holder (QTY 3) welded to net holder (QTY 1) (Port and Starboard)	
2200 - Rub Rails, (1 Port & 1 Starboard)	

### Fabrication

2200B - Rub rails, upper & lower (2 Port & 2 Starboard)	
2220A - Rod holders, welded to fore side of roof top rod holder assembly (QTY 6)	
2225 - Rose bud cleats, welded aft deck (QTY 4)	
2255 - Storage rack, roof top	
2285 - Insulate fish box sides and bottom (Per fish box option)	
2600 - Frontier davit, at AKBH thru aft cabin overhang Includes: fabrication of davit, enclosure and paint (Dealer supplied winch / hauler)	
2600B - Frontier davit, at AKBH thru aft cabin overhang Includes: fabrication of davit, enclosure and paint (Factory supplied Electro-Dyne winch / hauler)	
2610 - Dinghy Hoist / Davit with winch #EMD2000SSRP (Thru aft cabin overhang) NOTE: Aft station option required.	
GX3 - Lone Star GX3 Drum Anchor Winch - up to 30ft.	
GX4 - Lone Star GX4 Drum Anchor Winch - up to 40ft.	
GX-A - Lone Star GX3 & GX4 Drum Anchor Winch Welded Provisions - ONLY	
SK-2 - Seakeeper 2, installed in floor fish hold (Shore power option required)	
SK-A - Welded structure provisions only for Dealer installed Seakeeper	
5012 - Outrigger boss mounting plate (QTY 1) - AFT roof overhang Port & Starboard	

### Canvas

273 - Cover, stern	
--------------------	--

### Upholstery

330 - Cushions, sleeper custom (Requires opposing bench seat)	
580 - Seat, flip up with snap on cushions (Each) (Aft deck)	
625 - Swivels, installed on helm seats (Port & Starboard)	
710 - Seat, Ocean Master	

### Paint Colors

4060 - Color matched Zolatone (Cabin, gunwales & aft deck)	
4115 - One color full side paint to chine	
4135 - Two color side paint to chine	
5089 - Alaskan Painted Trim Package - Lillith Zolatone w/flat clear (30-59)	
5115 - Offshore SXL cabin and cuddy stripe	

See Dealer For Additional Options



**Outfitting**

3002 - Anchor windlass, Lofrans LION 1000 1/4" horizontal gypsy	
3002A - Foot switches for Lofrans LION 1000 windlass	
3150A - Aerate, rear cowling storage box (Port)	
3175 - Heater / defroster, Wallas Viking (7' & 9' cabin)	
3180 - Heater / defroster, Wallas Spartan (11' cabin)	
3220 - Light, LED rear deck (QTY 1)	
3230 - Light, LED courtesy at aisle way (QTY 4)	
3240 - Switch panel, additional eight switch panel	
3382 - Dual USB-A/C combo charger (Each) (Portside)	
3400A - Pump, Whale Gulper pump for in-floor fish box (Single engine)	
3400B - Pump, Whale Gulper pump for in-floor fish box (Twin engine)	
3431 - Alarm, high water	
3435 - Pump, bilge, second 2200 GPH bilge pump	
3441 - Refrigerator, drawer Isotherm Cruise 65 SS, 2.3 Cu Ft., AC/DC (Requires 24" cabinet)	
3443 - Refrigerator, drawer Isotherm Cruise 130 SS w/Freezer, 4.6 Cu Ft., AC/DC NOTE: Requires 24" cabinet and cannot have sink or stove above unit	
3444 - Refrigerator, drawer Isotherm Cruise 85 SS, 3.0 Cu. Ft., AC/DC (Requires 24" cabinet)	
3600 - Shore power for 3 batteries with 3 bank charging system	
3610 - Shore power and upgrade to 4 batteries with 4 bank charging system	
3630 - Shore power, Freedom XC Pro Marine 2000w Inverter w/ 4 batteries & 4 bank charging system	
3690 - Sink, large, w/ faucet & 10 gallon tank (Requires 24" cabinet)	
3691 - Sink, small, w/ faucet & 10 gallon tank (Requires 12" cabinet)	
3695 - Water tank, 18 gallon upgrade (Exch. 10 gallon tank)	
3720B - Spotlight, Go Light Stryker with remote	
3750 - Stove, Wallas Nordic Dt diesel with blower lid for cabin heat (Requires 24" cabinet)	

**Outfitting**

3751 - Diesel tank, 5 gal. aluminum tank w/ external fill & dash fuel gauge	
3770 - Toilet, flushing centered inside cuddy	
3820 - Water test, pre dealer delivery	
3825 - Windshield wiper washer system	
3830A - Fresh water system, wash down & 18 gallon tank	
3830B - Fresh water system with sink & faucet, wash down & 18 gallon tank	
3840 - Hot fresh water shower system, w/ S600EW heater, 30 gallon tank & drain sump	
3845 - Head drain, with Attwood sump pump (Requires stand up head)	
5006 - Bait tank plumbing and installation of Dealer supplied bait tank.	
5006-A - Bait tank plumbing - Provisions Only.	
5006-B - Bait tank wiring system to run continuously over night when at dock - Provisions Only.	
5093 - SEP60 IMTRA Bow Thruster - 12V Proportional (27'-31') - Includes: Joystick, GRP 27 Battery & 1 Bank charging system. (Requires shore power)	
5097 - Yamaha Integration for the IMTRA/Sleipner Proportional Bow Thrusters - Note: Bow Thruster SEP60/SEP80 option and Yamaha I-DES rigging options must be selected.	
5099 - Seakeeper Ride 525 (27'-30')	
5100 - Seakeeper Ride 600 (31'-36')	
5103 - Seakeeper Ride Keypad with Ethernet Cable - Choose MFD Cable: (Garmin, Ray Marine, or Simrad)	
5107 - Cabinet, aft deck port AKBH with sink, faucet and storage below	
5108 - Sensor Marine - Boat Monitor with Bilge Sentry	

**Steering**

HS 1 - Hydraulic steering system, single main engine	
HS 2 - Hydraulic steering system, twin main engines	
HS YXC1 - Hydraulic steering system, Yamaha XC/XD single engine	
HS YXC2 - Hydraulic steering system, Yamaha XC/XD twin engines	



**Fuel and Fish Hold For 9' Cabin**

120G-36FB27 - 120 Gallon fuel tank & 36" Fish hold (2700SXL with 9' cabin only)	
200G-0FB27 - 200 Gallon fuel tank & DELETE Fish hold (2700SXL with 9' cabin only)	
200G-36FB29 - 200 Gallon fuel tank & 36" Fish hold (2900SXL with 9' cabin only)	
200G-24FB29 - 200 Gallon fuel tank & 24" Fish hold (2900SXL with 9' cabin only)	
255G-0FB29 - 255 Gallon fuel tank & DELETE Fish hold (2900SXL with 9' cabin only)	
255G-36FB31 - 255 Gallon fuel tank & 36" Fish hold (3100SXL with 9' cabin only)	
255G-24FB31 - 255 Gallon fuel tank & 24" Fish hold (3100SXL with 9' cabin only)	
275G-0FB31 - 275 Gallon fuel tank & DELETE Fish hold (3100SXL with 9' cabin only)	

**Fuel and Fish Hold For 11' Cabin**

120G-36FB29 - 120 Gallon fuel tank & 36" Fish hold (2900SXL with 11' cabin only)	
160G-24FB29 - 160 Gallon fuel tank & 24" Fish hold (2900SXL with 11' cabin only)	
200G-0FB29 - 200 Gallon fuel tank & DELETE Fish hold (2900SXL with 11' cabin only)	
170G-40FB31 - 170 Gallon fuel tank & 40" Fish hold (3100SXL with 11' cabin only)	
200G-36FB31 - 200 Gallon fuel tank & 36" Fish hold (3100SXL with 11' cabin only)	
200G-24FB31 - 200 Gallon fuel tank & 24" Fish hold (3100SXL with 11' cabin only)	
255G-0FB31 - 255 Gallon fuel tank & DELETE Fish hold (3100SXL with 11' cabin only)	



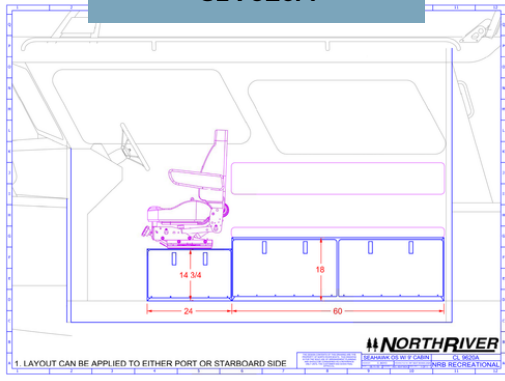
See Dealer For Additional Options



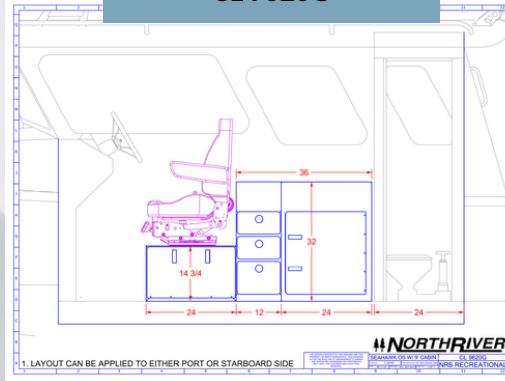
**Cabin Layouts - Choose a Port & Starboard Layout Option**

<b>9' CABIN</b>	
CL 9620A - (1) Storage seat box (60") w/cushion and back rest (Aft of helm)	
CL 9620G - (1) Galley cabinet (36") & (1) Stand up flushing toilet (24") Aisle facing	
<b>9' CABIN PORT (Includes offset aisle way upgrade)</b>	
CL 9645I-P - (1) Dinette with fixed bench seats and back rests (24" Table & footrest)	
<b>11' CABIN (Includes 11' length upgrade)</b>	
CL 9650G - (1) Galley cabinet (60") & (1) Stand up flushing toilet (24") Aisle facing	
CL 9650H - (1) Galley cabinet (48") & (1) Stand up flushing toilet (36") Forward facing	
<b>11' CABIN PORT (Includes 11' length &amp; offset aisle way upgrade)</b>	
CL 9660I-P - (1) Dinette with fixed bench seats and back rests (48" Table & footrest)	

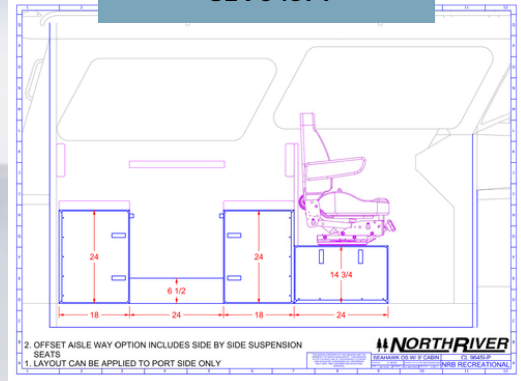
**CL 9620A**



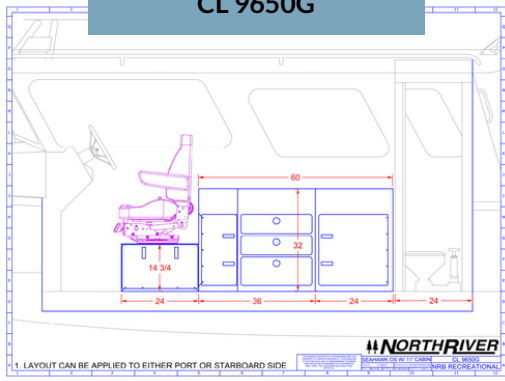
**CL 9620G**



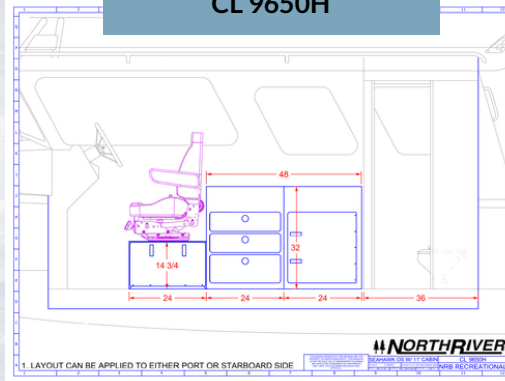
**CL 9645I-P**



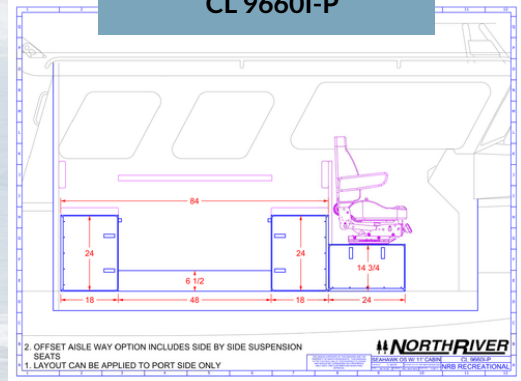
**CL 9650G**



**CL 9650H**



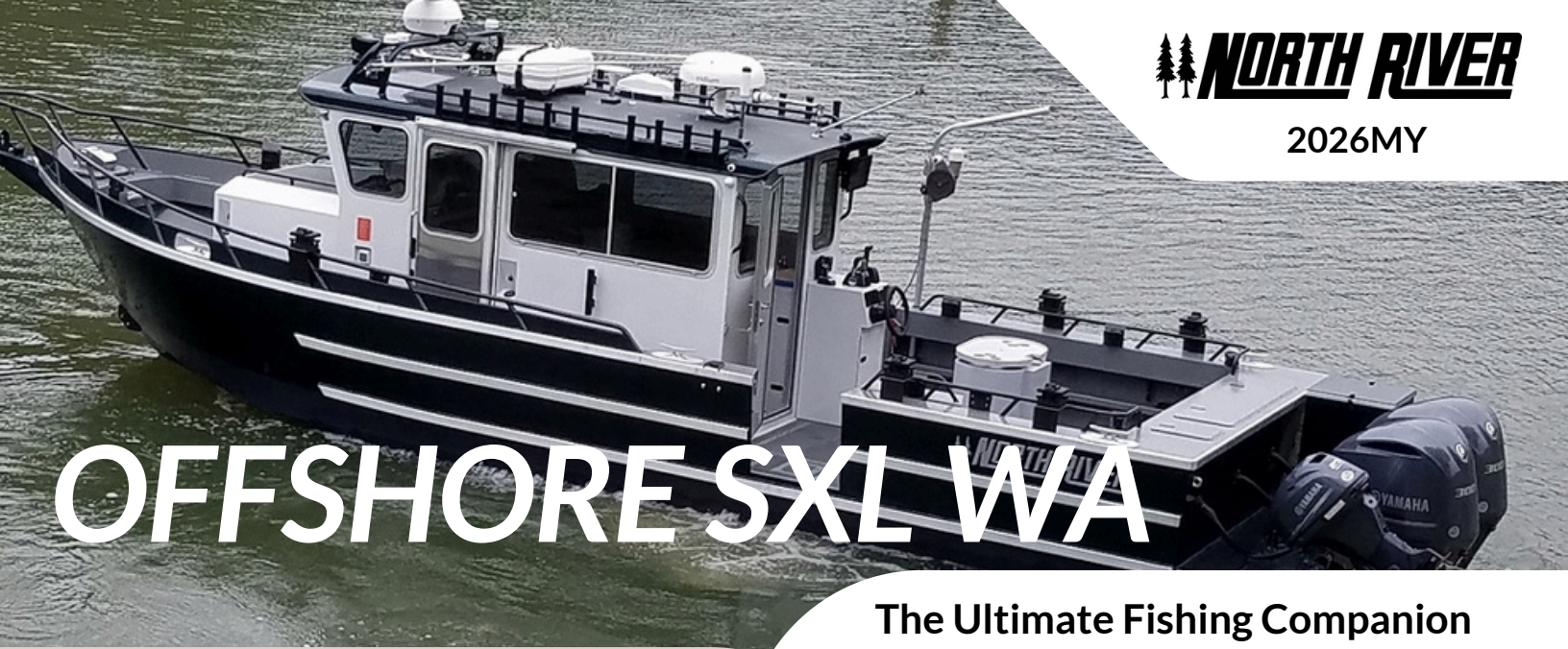
**CL 9660I-P**



**See Dealer For Additional Options**

**Trailer & Outboard Engine Options - Dealer to provide pricing for appropriate equipment found within the 2026MY Dealer Sales Book**

Prices subject to change. Photos include items that may not be standard features or options. Options may not be available on all models.



# OFFSHORE SXL WA

## Key Features:

- Lifetime limited hull warranty
- Offshore bracket with welded Bomar hatch
- Aluminum self-bailing deck includes fish box and floor grip non-skid surface
- Walk around pilot house with forward-leaning one piece windshield
- Boarding ladder with welded grab handle
- One color painted side stripe to waterline with clear coat
- Cabin exterior, decks, cabin interior & cuddy trunk - Marble Stone Zolatone
- Two flip-up bolster seats - port and starboard
- Two storage boxes with cushion pads & backrests - port & starboard aft of helm seats
- Electronics box, full over-head electronics box above helm from port to starboard
- Shortened cuddy trunk with privacy curtain, storage, upholstered headliner & marine carpet.
- Rear cowl storage
- Wash down pump
- Triple bank battery system (Dual HD cranking marine batteries and single house battery with selector switch & ACR)
- Dual bilge pumps with auto float

Life is better in a North River



## The Ultimate Fishing Companion

A top-tier fishing vessel for serious anglers and recreational boaters, renowned for its durable aluminum build and seaworthiness. It offers options for larger fuel or fish hold capacity. With a 55° hull entry, 24° deadrise, .250 transom, and 28" interior side height, it epitomizes versatility and reliability.

WALK AROUND	2900SXL WA	3100SXL WA
Length Overall	32'3"	34'3"
Centerline Length	29'	31'
Cabin Length/Width/Height	104"/65"/77"	104"/65"/77"
Cockpit Length/Width	97"/104"	121"/104"
Beam	9'6"	9'6"
Bottom	.250	.250
Sides	42" x .190	42" x .190
Fuel Capacity - Gallons	170	200
Dry Weight - lbs	7,100	7,600
Person Capacity	8	10
Person Wt. Capacity	1,480	1,850
Max Wt. Capacity on water (Persons, Motors & Gear) - lbs	7,721	8,183
Max Horsepower*	600	900

\*Listed horsepower rating may require upgraded offshore bracket.

## Boat on Trailer Dimensions - Average Values\*

Highest Fixed Point	11'6"	11'6"
Length Overall Coupler to Main Engine	39'	41'

\*Make of trailer will affect actual values

## Offshore SXL WA

- 29' x 9' 6" Offshore 2900SXL WA
- 31' x 9' 6" Offshore 3100SXL WA



### Fabrication

1015WA - Aft station helm, console only	
1020WA - Aft steering helm, single engine	
1020AWA - Aft steering helm, twin engine	
1050 - Beaching plate	
1101 - Toe kick, welded	
1103 - Crab pot protector (Starboard only)	
1109 - Transom, upgrade to 30"	
1199 - Bracket, offshore single engine 350HP ↑	
1200B - Bracket, offshore for twin engine	
1200C - Bracket, offshore with 1/2" plate (Over 800 HP, twin engine)	
1220 - Bracket, welded swim deck kicker (Port)	
1270 - Brackets, welded down rigger (Pair at FWD stern rail)	
1525 - Door, sliding DSG (Port side cabin)	
1530 - Door, side boarding (Port)	
1542 - Trim lip, aluminum at rear cowling	
1545 - Door, transom boarding (Starboard)	
1621A - Rear cowling storage box, single with shoe box lid	
1622A - Rear cowling storage box, two with shoe box lids	
1760 - Fish boxes, side mounted floor w/ Forespar shut off ball valve (QTY 2)	
1761A - Fish boxes, side mounted floor w/ Whale Gulper pumps (QTY 2)	
1800 - Ladder, roof top (Port or Starboard)	
1820 - Fold out steps, roof top access (QTY 2)	
2121 - Rails, welded 6" full wrap stern rails (Fore or aft of transom cowling)	
2200 - Rub Rails, (1 Port & 1 Starboard)	
2200B - Rub rails, upper & lower (2 Port & 2 Starboard)	
2220 - Rod holders, welded to fore side of roof top rod holder assembly (QTY 4)	
2225 - Rosebud cleats, welded aft deck (QTY 4)	
2255 - Storage rack, roof top	
2285 - Insulate fish box sides and bottom (Per fish box option)	

### Fabrication

2600 - Frontier davit, at AKBH thru aft cabin overhang - Includes: fabrication of davit, enclosure and paint (Dealer supplied winch / hauler)	
2600B - Frontier davit, at AKBH thru aft cabin overhang - Includes: fabrication of davit, enclosure and paint (Factory supplied Electro-Dyne winch / hauler)	
GX3 - Lone Star GX3 Drum Anchor Winch - up to 30ft.	
GX4 - Lone Star GX4 Drum Anchor Winch - up to 40ft.	
GX-A - Lone Star GX3 & GX4 Drum Anchor Winch Welded Provisions - ONLY	
SK-2 - Seakeeper 2, installed in floor fish hold (Shore power option required)	
SK-A - Welded structure provisions only for Dealer installed Seakeeper	
5012 - Outrigger boss mounting plate (QTY 1) - AFT roof overhang Port & Starboard	

### Paint Colors

4060 - Color matched Zolatone (Cabin, gunwales & aft deck)	
4115 - One color full side paint to chine	
4135 - Two color side paint to chine	
5089 - Alaskan Painted Trim Package - Lillith Zolatone w/flat clear (30-59)	



See Dealer For Additional Options



**Outfitting**

3002 - Anchor windlass, Lofrans LION 1000 1/4" horizontal gypsy	
3002A - Foot switches for Lofrans LION 1000 windlass	
3150A - Aerate, rear cowling storage box (Port)	
3182 - Heater / defroster, Espar D4 Airtronic diesel - Includes: 5 gal. alum. tank w/ external fill & dash fuel gauge	
3220 - Light, LED rear deck (QTY 1)	
3230 - Light, LED courtesy at aisle way (QTY 4)	
3240 - Switch panel, additional eight switch panel	
3382 - Dual USB-A/C combo charger (Each) (Portside)	
3400A - Pump, Whale Gulper pump for in-floor fish box (Single engine)	
3400B - Pump, Whale Gulper pump for in-floor fish box (Twin engine)	
3431 - Alarm, high water	
3435 - Pump, bilge, second 2200 GPH bilge pump	
3441 - Refrigerator, drawer Isotherm Cruise 65 SS, 2.3 Cu Ft., AC/DC (Requires 24" cabinet)	
3443 - Refrigerator, drawer Isotherm Cruise 130 SS w/Freezer, 4.6 Cu Ft., AC/DC NOTE: Requires 24" cabinet and cannot have sink or stove above unit	
3444 - Refrigerator, drawer Isotherm Cruise 85 SS, 3.0 Cu. Ft., AC/DC (Requires 24" cabinet)	
3600 - Shore power for 3 batteries with 3 bank charging system	
3610 - Shore power and upgrade to 4 batteries with 4 bank charging system	
3630 - Shore power, Freedom XC Pro Marine 2000w Inverter w/ 4 batteries & 4 bank charging system	
3690 - Sink, large, w/ faucet & 10 gallon tank (Requires 24" cabinet)	
3691 - Sink, small, w/ faucet & 10 gallon tank (Requires 12" cabinet)	
3695 - Water tank, 18 gallon upgrade (Exch. 10 gallon tank)	
3720B - Spotlight, Go Light Stryker with remote	
3750 - Stove, Wallas Nordic Dt diesel with blower lid for cabin heat (Requires 24" cabinet)	

**Outfitting**

3751 - Diesel tank, 5 gal. aluminum tank w/ external fill & dash fuel gauge	
3770 - Toilet, flushing centered inside cuddy	
3820 - Water test, pre dealer delivery	
3825 - Windshield wiper washer system	
3830A - Fresh water system, wash down & 18 gallon tank	
3830B - Fresh water system with sink & faucet, wash down & 18 gallon tank	
5006 - Bait tank plumbing and installation of Dealer supplied bait tank.	
5006-A - Bait tank plumbing - Provisions Only.	
5006-B - Bait tank wiring system to run continuously over night when at dock - Provisions Only.	
5093 - SEP60 IMTRA Bow Thruster - 12V Proportional (27'-31') - Includes: Joystick, GRP 27 Battery & 1 Bank charging system. (Requires shore power)	
5097 - Yamaha Integration for the IMTRA/Sleipner Proportional Bow Thrusters - Note: Bow Thruster SEP60/SEP80 option and Yamaha I-DES rigging options must be selected.	
5099 - Seakeeper Ride 525 (27'-30')	
5100 - Seakeeper Ride 600 (31'-36')	
5103 - Seakeeper Ride Keypad with Ethernet Cable - Choose MFD Cable: (Garmin, Ray Marine, or Simrad)	
5108 - Sensar Marine - Boat Monitor with Bilge Sentry	

**Steering**

HS 1 - Hydraulic steering system, single main engine	
HS 2 - Hydraulic steering system, twin main engines	
HS YXC1 - Hydraulic steering system, Yamaha XC/XD single engine	
HS YXC2 - Hydraulic steering system, Yamaha XC/XD twin engines	

**Fuel and Fish Hold**

Contact North River Sales for price and availability	
--	--

**See Dealer For Additional Options**

**Trailer & Outboard Engine Options - Dealer to provide pricing for appropriate equipment found within the 2026MY Dealer Sales Book**

Prices subject to change. Photos include items that may not be standard features or options. Options may not be available on all models.



# ENDURANCE

## Key Features:

- Lifetime limited hull warranty
- Twin engine offshore bracket with welded Bomar hatch. Setup is for 30" shaft engines
- Dodger roof line profile with windshield visor with gutter drains
- Aluminum self-bailing deck includes fish box & floor grip non-skid surface
- Full pilot house with enlarged v-berth, Alaskan bulkhead, level offset aisle way, heavy-duty sliding door, & cabin windows
- Boarding ladder with welded grab handle
- One color painted side stripe to waterline with clear coat
- Cabin exterior, aft deck, cabin interior, & cuddy trunk - Marble Stone Zolatone
- Three suspension seats with severe duty chassis at helm on boxes
- Electronics box, full over-head electronics box above helm from port to starboard
- Enclosed v-berth storage with locking doors, upholstered headliner & marine carpet. Includes: v-berth sleeper cushions
- Rear cowl storage
- Wash down pump
- Triple bank battery system (Dual HD cranking marine batteries & single house battery with selector switch and ACR)
- Bilge pump with auto-float

**Life is better in a North River**



## Experience Luxury and Innovation

Experience the redefined boating experience of the Endurance. Enjoy a smoother ride, expanded cabin space, and larger fuel/fish hold options. With a 49° hull entry, 20° deadrise, .250 transom, and 28" interior side height, it sets a new standard of excellence.

ENDURANCE	3000EXL	3200EXL	3400EXL
Length Overall	34'7"	36'7"	38'7"
Centerline Length	30'	32'	34'
Cabin Length/Height	108"/78"	108"/78"	108"/78"
Cockpit Length/Width	121"/105"	145"/105"	169"/105"
Beam	9'10"	9'10"	9'10"
Bottom	.250	.250	.250
Sides	42" x .190	42" x .190	42" x .190
Fuel Capacity - Gallons	190	255	310
Dry Weight - lbs	7,100	7,700	8,200
Person Capacity	8	10	10
Person Wt. Capacity	1,480	1,850	1,850
Max Wt. Capacity on water (Persons, Motors & Gear) - lbs	8,964	9,705	10,300
Max Horsepower*	900	900	900

\*Listed horsepower rating may require upgraded offshore bracket.

### Boat on Trailer Dimensions - Average Values\*

Highest Fixed Point	11'10"	11'10"	11'10"
Length Overall Coupler to Main Engine	40'	42'	44'

\*Make of trailer will affect actual values

## Endurance

- 30' x 9' 10" Endurance 3000EXL
- 32' x 9' 10" Endurance 3200EXL
- 34' x 9' 10" Endurance 3400EXL



### Fabrication

1026 - Endurance Aft station helm, console only	
1026A - Endurance Aft station helm, twin engine	
1045 - Plano storage inside console	
1050 - Beaching plate	
1101 - Toe kick, welded	
1103 - Crab pot protector (Starboard only)	
1200E - Bracket, offshore with 1/2" plate (Over 800 HP, twin engine)	
1220 - Bracket, welded swim deck kicker (Port)	
1270 - Brackets, welded down rigger (Pair at FWD stern rail)	
1300 - Inside Passage bulkhead with footrest riser & extended sleeper cushion. (Port only) Curtain replaces V-berth doors & bulkhead.	
1455 - Cabin aft overhang, extended to 36" center length	
1500 - Door, walk thru bow (Cuddy & V-berth eliminated)	
1530 - Door, side boarding (Port)	
1542 - Trim lip, aluminum at rear cowling	
1545 - Door, transom boarding (Starboard)	
1621A - Rear cowling storage box, single with shoe box lid	
1622A - Rear cowling storage box, two with shoe box lids	
1622C - Transom cowling storage: Two drop ins, welded at top of cowling, with shoe box lids. One large - centered & one smaller - portside.	
1760 - Fish boxes, side mounted floor w/ Forespar shut off ball valve (QTY 2)	
1761A - Fish boxes, side mounted floor w/ Whale Gulper pumps (QTY 2)	
1800 - Ladder, roof top (Port or Starboard)	
1820 - Fold out steps, roof top access (QTY 2)	
2121 - Rails, welded 6" full wrap stern rails (Fore or aft of transom cowling)	
2165C - Rod holder (QTY 3) welded to net holder (QTY 1) (Port and Starboard)	
2200 - Rub Rails, (1 Port & 1 Starboard)	
2200B - Rub rails, upper & lower (2 Port & 2 Starboard)	
2220A - Rod holders, welded to fore side of roof top rod holder assembly (QTY 6)	
2225 - Rose bud cleats, welded aft deck (QTY 4)	
2255 - Storage rack, roof top	

### Fabrication

2285 - Insulate fish box sides and bottom (Per fish box option)	
2600 - Frontier davit, at AKBH thru aft cabin overhang Includes: fabrication of davit, enclosure and paint (Dealer supplied winch / hauler)	
2600B - Frontier davit, at AKBH thru aft cabin overhang Includes: fabrication of davit, enclosure and paint (Factory supplied Electro-Dyne winch / hauler)	
2610 - Dinghy Hoist / Davit with winch #EMD2000SSRP (Thru aft cabin overhang) NOTE: Aft station option required.	
GX3 - Lone Star GX3 Drum Anchor Winch - up to 30ft.	
GX4 - Lone Star GX4 Drum Anchor Winch - up to 40ft.	
GX-A - Lone Star GX3 & GX4 Drum Anchor Winch Welded Provisions - ONLY	
SK-2 - Seakeeper 2, installed in floor fish hold (Shore power option required)	
SK-3 - Seakeeper 3, installed in floor fish hold (Shore power option required)	
SK-A - Welded structure provisions only for Dealer installed Seakeeper. Choose which Seakeeper (SK-2 or SK-3), for correct welded bracing.	
5012 - Outrigger boss mounting plate (QTY. 1) - AFT roof overhang Port & Starboard	

### Upholstery

580 - Seat, flip up with snap on cushions (Each) (Aft deck)	
625 - Swivels, installed on helm seats (Port & Starboard)	
710 - Seat, Ocean Master	

### Paint Colors

4060 - Color matched Zolatone (Cabin, gunwales & aft deck)	
4115 - One color full side paint to chine	
4135 - Two color side paint to chine	
5089 - Alaskan Painted Trim Package - Lillith Zolatone w/flat clear (30-59)	



See Dealer For Additional Options



**Outfitting**

3002 - Anchor windlass, Lofrans LION 1000 1/4" horizontal gypsy	
3002A - Foot switches for Lofrans LION 1000 windlass	
3150A - Aerate, rear cowling storage box (Port)	
3175 - Heater / defroster, Wallas Viking (7' & 9' cabin)	
3180 - Heater / defroster, Wallas Spartan (11' cabin)	
3220 - Light, LED rear deck (QTY 1)	
3230 - Light, LED courtesy at aisle way (QTY 4)	
3240 - Switch panel, additional eight switch panel	
3382 - Dual USB-A/C combo charger (Each) (Portside)	
3400B - Pump, Whale Gulper pump for in-floor fish box (Twin engine)	
3431 - Alarm, high water	
3435 - Pump, bilge, second 2200 GPH bilge pump	
3441 - Refrigerator, drawer Isotherm Cruise 65 SS, 2.3 Cu Ft., AC/DC (Requires 24" cabinet)	
3443 - Refrigerator, drawer Isotherm Cruise 130 SS w/Freezer, 4.6 Cu Ft., AC/DC NOTE: Requires 24" cabinet and cannot have sink or stove above unit	
3444 - Refrigerator, drawer Isotherm Cruise 85 SS, 3.0 Cu. Ft., AC/DC (Requires 24" cabinet)	
3600 - Shore power for 3 batteries with 3 bank charging system	
3610 - Shore power and upgrade to 4 batteries with 4 bank charging system	
3630 - Shore power, Freedom XC Pro Marine 2000w Inverter w/ 4 batteries & 4 bank charging system	
3690 - Sink, large, w/ faucet & 10 gallon tank (Requires 24" cabinet)	
3691 - Sink, small, w/ faucet & 10 gallon tank (Requires 12" cabinet)	
3695 - Water tank, 18 gallon upgrade (Exch. 10 gallon tank)	
3720B - Spotlight, Go Light Stryker with remote	
3750 - Stove, Wallas Nordic Dt diesel with blower lid for cabin heat (Requires 24" cabinet)	

**Outfitting**

3751 - Diesel tank, 5 gal. aluminum tank w/ external fill & dash fuel gauge	
3770 - Toilet, flushing centered inside cuddy	
3820 - Water test, pre dealer delivery	
3825 - Windshield wiper washer system	
3830A - Fresh water system, wash down & 18 gallon tank	
3830B - Fresh water system with sink & faucet, wash down & 18 gallon tank	
3840 - Hot fresh water shower system, w/ S600EW heater, 30 gallon tank & drain sump	
3845 - Head drain, with Attwood sump pump (Requires stand up head)	
5006 - Bait tank plumbing and installation of Dealer supplied bait tank.	
5006-A - Bait tank plumbing - Provisions Only.	
5006-B - Bait tank wiring system to run continuously over night when at dock - Provisions Only.	
5093 - SEP60 IMTRA Bow Thruster - 12V Proportional (27'-31') - Includes: Joystick, GRP 27 Battery & 1 Bank charging system. (Requires shore power)	
5094 - SEP80 IMTRA Bow Thruster - 12V Proportional (30'-37') - Includes: Joystick, GRP 27 Battery & 1 Bank charging system. (Requires shore power)	
5097 - Yamaha Integration for the IMTRA/Sleipner Proportional Bow Thrusters - Note: Bow Thruster SEP60/SEP80 option and Yamaha I-DES rigging options must be selected.	
5099 - Seakeeper Ride 525 (27'-30')	
5100 - Seakeeper Ride 600 (31'-36')	
5103 - Seakeeper Ride Keypad with Ethernet Cable - Choose MFD Cable: (Garmin, Ray Marine, or Simrad)	
5107 - Cabinet, aft deck port AKBH with sink, faucet and storage below	
5108 - Sensar Marine - Boat Monitor with Bilge Sentry	

**Steering**

HS 2 - Hydraulic steering system, twin main engines	
HS YXC2 - Hydraulic steering system, Yamaha XC/XD twin engines	

See Dealer For Additional Options



**Fuel and Fish Hold For 9' Cabin**

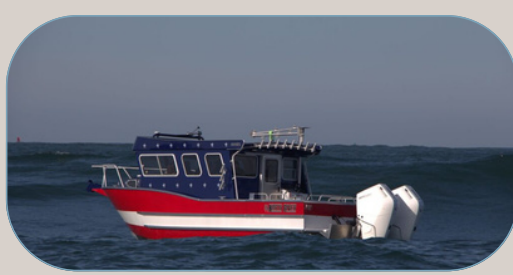
200G-36FB30 - 200 Gallon fuel tank & 36" Fish hold (3000EXL with 9' cabin only)	
240G-24FB30 - 240 Gallon fuel tank & 24" Fish hold (3000EXL with 9' cabin only)	
340G-0FB30 - 340 Gallon fuel tank & DELETE Fish hold (3000EXL with 9' cabin only)	
275G-36FB32 - 275 Gallon fuel tank & 36" Fish hold (3200EXL with 9' cabin only)	
310G-24FB32 - 310 Gallon fuel tank & 24" Fish hold (3200EXL with 9' cabin only)	
415G-0FB32 - 415 Gallon fuel tank & DELETE Fish hold (3200EXL with 9' cabin only)	
340G-36FB34 - 340 Gallon fuel tank & 36" Fish hold (3400EXL with 9' cabin only)	
340G-24FB34 - 340 Gallon fuel tank & 24" Fish hold (3400EXL with 9' cabin only)	
415G-0FB34 - 415 Gallon fuel tank & DELETE Fish hold (3400EXL with 9' cabin only)	

**Fuel and Fish Hold For 11' Cabin**

120G-40FB30 - 120 Gallon fuel tank & 40" Fish hold (3000EXL with 11' cabin only)	
140G-36FB30 - 140 Gallon fuel tank & 36" Fish hold (3000EXL with 11' cabin only)	
170G-24FB30 - 170 Gallon fuel tank & 24" Fish hold (3000EXL with 11' cabin only)	
255G-0FB30 - 255 Gallon fuel tank & DELETE Fish hold (3000EXL with 11' cabin only)	
190G-40FB32 - 190 Gallon fuel tank & 40" Fish hold (3200EXL with 11' cabin only)	
200G-36FB32 - 200 Gallon fuel tank & 36" Fish hold (3200EXL with 11' cabin only)	
240G-24FB32 - 240 Gallon fuel tank & 24" Fish hold (3200EXL with 11' cabin only)	
340G-0FB32 - 340 Gallon fuel tank & DELETE Fish hold (3200EXL with 11' cabin only)	
255G-40FB34 - 255 Gallon fuel tank & 40" Fish hold (3400EXL with 11' cabin only)	
275G-36FB34 - 275 Gallon fuel tank & 36" Fish hold (3400EXL with 11' cabin only)	
310G-24FB34 - 310 Gallon fuel tank & 24" Fish hold (3400EXL with 11' cabin only)	
415G-0FB34 - 415 Gallon fuel tank & DELETE Fish hold (3400EXL with 11' cabin only)	



**See Dealer For Additional Options**

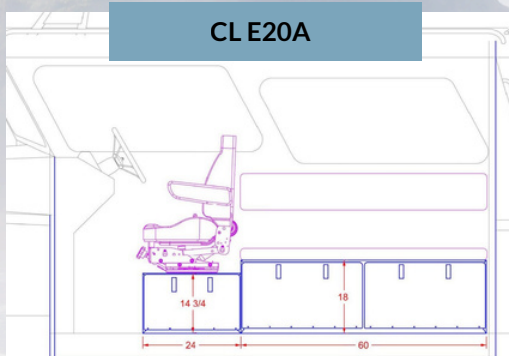


**Cabin Layouts - Choose a Port & Starboard Layout Option**

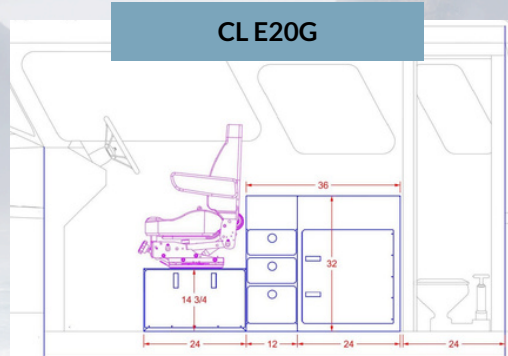
<b>9' CABIN</b>	
CL E20A - (1) Storage seat box (60") w/cushion and back rest (Aft of helm)	
CL E20G - (1) Galley cabinet (36") & (1) Stand up flushing toilet (24") Aisle facing	
<b>9' CABIN PORT (Includes offset aisle way upgrade)</b>	
CL E45I-P - (1) Dinette with fixed bench seats and back rests (24" Table & footrest)	
<b>11' CABIN (Includes 11' length upgrade)</b>	
CL E50G - (1) Galley cabinet (60") & (1) Stand up flushing toilet (24") Aisle facing	
CL E50H - (1) Galley cabinet (48") & (1) Stand up flushing toilet (36") Forward facing	
<b>11' CABIN PORT (Includes 11' length &amp; offset aisle way upgrade)</b>	
CL E60I-P - (1) Dinette with fixed bench seats and back rests (48" Table & footrest)	



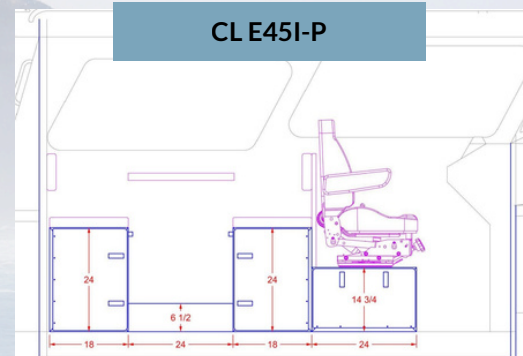
**CL E20A**



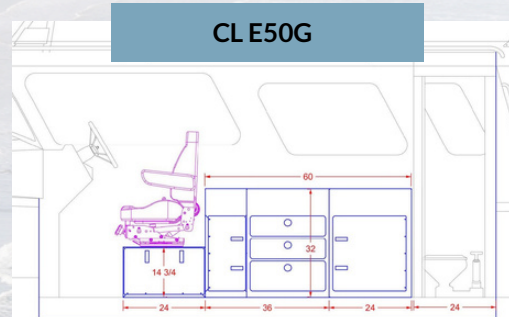
**CL E20G**



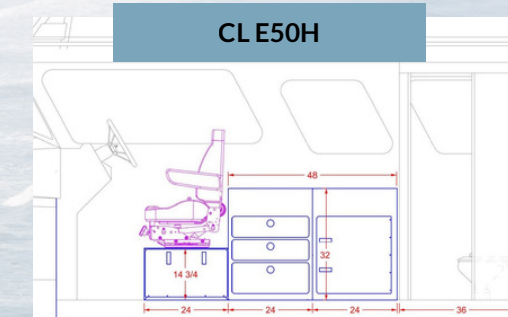
**CL E45I-P**



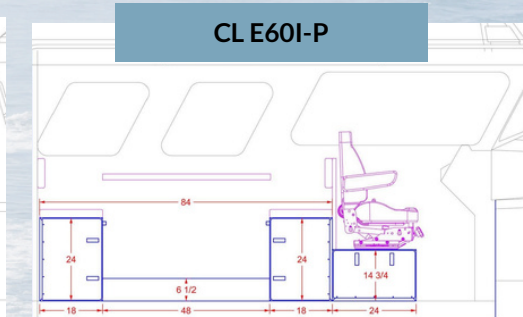
**CL E50G**



**CL E50H**



**CL E60I-P**



**See Dealer For Additional Options**

Trailer & Outboard Engine Options - Dealer to provide pricing for appropriate equipment found within the 2026MY Dealer Sales Book  
 Prices subject to change. Photos include items that may not be standard features or options. Options may not be available on all models.



# OFFSHORE WXL

## Key Features:

- Lifetime limited hull warranty
- Twin engine offshore bracket with welded Bomar hatch. Setup is for 30" shaft engines
- Aluminum self-bailing deck, includes fish box & floor grip non-skid surface
- 12' pilot house with Alaskan bulkhead, heavy-duty sliding door & cabin windows
- Portside cabin with mid-berth sleeping area
- One color painted side stripe to waterline with clear coat
- Cabin exterior, aft deck, cabin interior & cuddy trunk - Marble Stone Zolatone
- Suspension helm seats
- Electronics box, full over-head electronics box above helm from port to starboard
- Enclosed v-berth storage with locking doors, upholstered headliner & marine carpet. Includes: v-berth sleeper cushions
- Starboard side cabin with galley and head
- Portside cabin with U-shaped dinette
- Triple bank battery system (Dual HD cranking marine batteries and single house battery with selector switch & ACR)
- Bilge pump with auto float

**Life is better in a North River**



## Unmatched Craftsmanship and Performance

With an Alaskan bulkhead and a 49-degree bow entry, this vessel navigates swells smoothly. It offers options for larger fuel or fish hold capacity. Featuring a 20° deadrise, a .250 transom, and 28" interior side height, it ensures stability and reliability.

OFFSHORE WXL	3300WXL	3500WXL
Length Overall	35'5"	37'5"
Centerline Length	33'	35'
Cabin Length/Height	144"/83"	144"/83"
Cockpit Length/Width	103"/120"	127"/120"
Beam	10'6"	10'6"
Bottom	.250	.250
Sides	50" x .190	50" x .190
Fuel Capacity - Gallons	275	385
Dry Weight - lbs	12,400	13,150
Person Capacity	12	12
Person Wt. Capacity	2,220	2,220
Max Wt. Capacity on water <small>(Persons, Motors &amp; Gear) - lbs</small>	13,516	14,533
Max Horsepower*	900	1,275

\*Listed horsepower rating may require upgraded offshore bracket.

### Boat on Trailer Dimensions - Average Values\*

Highest Fixed Point	12'	12'
Length Overall <small>Coupler to Main Engine</small>	43'	45'

\*Make of trailer will affect actual values

## Offshore WXL

- 33' x 10' 6" Offshore 3300WXL
- 35' x 10' 6" Offshore 3500WXL



2026MY

### Fabrication

1015 - Aft station helm, console only	
1020 - Aft steering helm, single engine	
1020A - Aft steering helm, twin engine	
1045 - Plano storage inside console	
1050 - Beaching plate	
1101 - Toe kick, welded	
1103 - Crab pot protector (Starboard only)	
1200DW - Bracket, offshore with 1/2" plate (Over 800 HP, triple engine)	
1220 - Bracket, welded swim deck kicker (Port)	
1270 - Brackets, welded down rigger (Pair at FWD stern rail)	
1300 - Inside Passage bulkhead with footrest riser & extended sleeper cushion. (Port only) Curtain replaces V-berth doors & bulkhead.	
1455 - Cabin aft overhang, extended to 36" center length	
1456 - Cabin aft overhang, raised 4" & extended to 36" center length	
1500 - Door, walk thru bow (Cuddy & V-berth eliminated)	
1530 - Door, side boarding (Port)	
1542 - Trim lip, aluminum at rear cowling	
1545 - Door, transom boarding (Starboard)	
1621A - Rear cowling storage box, single with shoe box lid	
1622A - Rear cowling storage box, two with shoe box lids	
1760 - Fish boxes, side mounted floor w/ Forespar shut off ball valve (QTY 2)	
1761A - Fish boxes, side mounted floor w/ Whale Gulper pumps (QTY 2)	
1800 - Ladder, roof top (Port or Starboard)	
1820 - Fold out steps, roof top access (QTY 2)	
2121 - Rails, welded 6" full wrap stern rails (Fore or aft of transom cowling)	
2165C - Rod holder (QTY 3) welded to net holder (QTY 1) (Port and Starboard)	
2200 - Rub Rails, (1 Port & 1 Starboard)	
2200B - Rub rails, upper & lower (2 Port & 2 Starboard)	

### Fabrication

2220B - Rod holders, welded to fore side of roof top rod holder assembly (QTY 8)	
2225 - Rose bud cleats, welded aft deck (QTY 4)	
2255 - Storage rack, roof top	
2285 - Insulate fish box sides and bottom (Per fish box option)	
2600 - Frontier davit, at AKBH thru aft cabin overhang - Includes: fabrication of davit, enclosure and paint (Dealer supplied winch / hauler)	
2600B - Frontier davit, at AKBH thru aft cabin overhang - Includes: fabrication of davit, enclosure and paint (Factory supplied Electro-Dyne winch / hauler)	
2610 - Dinghy Hoist / Davit with winch #EMD2000SSRP (Thru aft cabin overhang) NOTE: Aft station option required.	
GX4 - Lone Star GX4 Drum Anchor Winch - up to 40ft.	
GX-A - Lone Star GX3 & GX4 Drum Anchor Winch Welded Provisions - ONLY	
SK-3 - Seakeeper 3, installed in floor fish hold (Shore power option required)	
SK-A - Welded structure provisions only for Dealer installed Seakeeper	
5012 - Outrigger boss mounting plate (QTY 1) - AFT roof overhang Port & Starboard	

### Upholstery

330 - Cushions, sleeper custom (Requires opposing bench seat)	
580 - Seat, flip up with snap on cushions (Each) (Aft deck)	
625 - Swivels, installed on helm seats (Port & Starboard)	
710 - Seat, Ocean Master	

### Paint Colors

4060 - Color matched Zolatone (Cabin, gunwales & aft deck)	
4115 - One color full side paint to chine	
4135 - Two color side paint to chine	
5089 - Alaskan Painted Trim Package - Lillith Zolatone w/flat clear (30-59)	

See Dealer For Additional Options



**Outfitting**

3002 - Anchor windlass, Lofrans LION 1000 1/4" horizontal gypsy	
3002A - Foot switches for Lofrans LION 1000 windlass	
3150A - Aerate, rear cowling storage box (Port)	
3180 - Heater / defroster, Wallas Spartan (11' cabin)	
3220 - Light, LED rear deck (QTY 1)	
3230 - Light, LED courtesy at aisle way (QTY 4)	
3240 - Switch panel, additional eight switch panel	
3382 - Dual USB-A/C combo charger (Each) (Portside)	
3400B - Pump, Whale Gulper pump for in-floor fish box (Twin engine)	
3431 - Alarm, high water	
3435 - Pump, bilge, second 2200 GPH bilge pump	
3441 - Refrigerator, drawer Isotherm Cruise 65 SS, 2.3 Cu Ft., AC/DC (Requires 24" cabinet)	
3443 - Refrigerator, drawer Isotherm Cruise 130 SS w/Freezer, 4.6 Cu Ft., AC/DC NOTE: Requires 24" cabinet and cannot have sink or stove above unit	
3444 - Refrigerator, drawer Isotherm Cruise 85 SS, 3.0 Cu. Ft., AC/DC (Requires 24" cabinet)	
3600 - Shore power for 3 batteries with 3 bank charging system	
3610 - Shore power and upgrade to 4 batteries with 4 bank charging system	
3630 - Shore power, Freedom XC Pro Marine 2000w Inverter w/ 4 batteries & 4 bank charging system	
3690 - Sink, large, w/ faucet & 10 gallon tank (Requires 24" cabinet)	
3691 - Sink, small, w/ faucet & 10 gallon tank (Requires 12" cabinet)	
3695 - Water tank, 18 gallon upgrade (Exch. 10 gallon tank)	
3720B - Spotlight, Go Light Stryker with remote	
3750 - Stove, Wallas Nordic Dt diesel with blower lid for cabin heat (Requires 24" cabinet)	

**Steering**

HS 2 - Hydraulic steering system, twin main engines	
---	--

**Outfitting**

3751 - Diesel tank, 5 gal. aluminum tank w/ external fill & dash fuel gauge	
3770 - Toilet, flushing centered inside cuddy	
3820 - Water test, pre dealer delivery	
3825 - Windshield wiper washer system	
3830A - Fresh water system, wash down & 18 gallon tank	
3830B - Fresh water system with sink & faucet, wash down & 18 gallon tank	
3840 - Hot fresh water shower system, w/ S600EW heater, 30 gallon tank & drain sump	
3845 - Head drain, with Attwood sump pump (Requires stand up head)	
5006 - Bait tank plumbing and installation of Dealer supplied bait tank.	
5006-A - Bait tank plumbing - Provisions Only.	
5006-B - Bait tank wiring system to run continuously over night when at dock - Provisions Only.	
5094 - SEP80 IMTRA Bow Thruster - 12V Proportional (30'-37') - Includes: Joystick, GRP 27 Battery & 1 Bank charging system. (Requires shore power)	
5097 - Yamaha Integration for the IMTRA/Sleipner Proportional Bow Thrusters - Note: Bow Thruster SEP60/SEP80 option and Yamaha I-DES rigging options must be selected.	
5100 - Seakeeper Ride 600 (31'-36')	
5103 - Seakeeper Ride Keypad with Ethernet Cable - Choose MFD Cable: (Garmin, Ray Marine, or Simrad)	
5108 - Sensar Marine - Boat Monitor with Bilge Sentry	

**Fuel and Fish Hold For 12' Cabin**

340G-24FB33 - 340 Gallon fuel tank & 24" Fish hold (3300WXL with 12' cabin only)	
250G-40FB33 - 250 Gallon fuel tank & 40" Fish hold (3300WXL with 12' cabin only)	
500G-0FB33 - 500 Gallon fuel tank & DELETE Fish hold (3300WXL with 12' cabin only)	
475G-24FB35 - 475 Gallon fuel tank & 24" Fish hold (3500WXL with 12' cabin only)	
408G-36FB35 - 408 Gallon fuel tank & 36" Fish hold (3500WXL with 12' cabin only)	
635G-0FB35 - 635 Gallon fuel tank & DELETE Fish hold (3500WXL with 12' cabin only)	

**See Dealer For Additional Options**

Trailer & Outboard Engine Options - Dealer to provide pricing for appropriate equipment found within the 2026MY Dealer Sales Book

Prices subject to change. Photos include items that may not be standard features or options. Options may not be available on all models.



# OFFSHORE WXL WA

## The Ultimate Boating Experience

With a commercial-grade design, this vessel surpasses industry standards to meet all your offshore boating needs. Enjoy options for larger fuel and/or fish hold capacity. Boasting a 49° hull entry, 20° deadrise, .250 transom, and 28" interior side height, it's engineered to deliver superior performance and versatility.

### Key Features:

- Lifetime limited hull warranty
- Twin engine offshore bracket with welded Bomar hatch. Setup is for 30" shaft engines
- Aluminum self-bailing deck includes fish box and floor grip non-skid surface
- Walk around pilot house with forward-leaning one-piece windshield
- Boarding ladder with welded grab handle
- One color painted side stripe to waterline with clear coat
- Cabin exterior, decks, cabin interior and cuddy trunk - Marble Stone Zolatone
- Two flip-up bolster seats - port & starboard
- Two storage boxes with cushion pads & backrests - port and starboard aft of helm seats
- Electronics box, full over-head electronics box above helm from port side to starboard side
- Shortened cuddy trunk with privacy curtain, storage, upholstered headliner & marine carpet
- Rear cowl storage
- Wash down pump
- Triple bank battery system (Dual HD cranking marine batteries & single house battery with selector switch & ACR)
- Dual bilge pumps with auto float

**Life is better in a North River**



WALK AROUND	3300WXL WA	3500WXL WA
Length Overall	37'1"	39'1"
Centerline Length	33'	35'
Cabin Length/Width/Height	120"/70"/78"	120"/70"/78"
Cockpit Length/Width	121"/120"	145"/120"
Beam	10'6"	10'6"
Bottom	.250	.250
Sides	50" x .190	50" x .190
Fuel Capacity - Gallons	275	385
Dry Weight - lbs	11,900	12,650
Person Capacity	12	12
Person Wt. Capacity	2,220	2,220
Max Wt. Capacity on water <small>(Persons, Motors &amp; Gear) - lbs</small>	13,516	14,533
Max Horsepower*	900	1,275

\*Listed horsepower rating may require upgraded offshore bracket.

### Boat on Trailer Dimensions - Average Values\*

Highest Fixed Point	12'	12'
Length Overall <small>Coupler to Main Engine</small>	43'	45'

\*Make of trailer will affect actual values

## Offshore WXL WA

- 33' x 10' 6" Offshore 3300WXL WA
- 35' x 10' 6" Offshore 3500WXL WA



### Fabrication

1015WA - Aft station helm, console only	
1020WA - Aft steering helm, single engine	
1020AWA - Aft steering helm, twin engine	
1050 - Beaching plate	
1101 - Toe kick, welded	
1103 - Crab pot protector (Starboard only)	
1200DW - Bracket, offshore with 1/2" plate (Over 800 HP, triple engine)	
1220 - Bracket, welded swim deck kicker (Port)	
1270 - Brackets, welded down rigger (Pair at FWD stern rail)	
1455 - Cabin aft overhang, extended to 36" center length	
1456 - Cabin aft overhang, raised 4" & extended to 36" center length	
1530 - Door, side boarding (Port)	
1542 - Trim lip, aluminum at rear cowling	
1545 - Door, transom boarding (Starboard)	
1621A - Rear cowling storage box, single with shoe box lid	
1622A - Rear cowling storage box, two with shoe box lids	
1760 - Fish boxes, side mounted floor w/ Forespar shut off ball valve (QTY 2)	
1761A - Fish boxes, side mounted floor w/ Whale Gulper pumps (QTY 2)	
1800 - Ladder, roof top (Port or Starboard)	
1820 - Fold out steps, roof top access (QTY 2)	
2121 - Rails, welded 6" full wrap stern rails (Fore or aft of transom cowling)	
2200 - Rub Rails, (1 Port & 1 Starboard)	
2200B - Rub rails, upper & lower (2 Port & 2 Starboard)	
2220 - Rod holders, welded to fore side of roof top rod holder assembly (QTY 4)	
2225 - Rosebud cleats, welded aft deck (QTY 4)	

### Fabrication

2255 - Storage rack, roof top	
2285 - Insulate fish box sides and bottom (Per fish box option)	
2600 - Frontier davit, at AKBH thru aft cabin overhang - Includes: fabrication of davit, enclosure and paint (Dealer supplied winch / hauler)	
2600B - Frontier davit, at AKBH thru aft cabin overhang - Includes: fabrication of davit, enclosure and paint (Factory supplied Electro-Dyne winch / hauler)	
GX4 - Lone Star GX4 Drum Anchor Winch - up to 40ft.	
GX-A - Lone Star GX3 & GX4 Drum Anchor Winch Welded Provisions - ONLY	
SK-3 - Seakeeper 3, installed in floor fish hold (Shore power option required)	
SK-A - Welded structure provisions only for Dealer installed Seakeeper	
5012 - Outrigger boss mounting plate (QTY 1) - AFT roof overhang Port & Starboard	

### Paint Colors

4060 - Color matched Zolatone (Cabin, gunwales & aft deck)	
4115 - One color full side paint to chine	
4135 - Two color side paint to chine	
5089 - Alaskan Painted Trim Package - Lillith Zolatone w/flat clear (30-59)	

### Steering

HS 2 - Hydraulic steering system, twin main engines	
---	--

### Fuel and Fish Hold

Contact North River Sales for price and availability	
--	--

**See Dealer For Additional Options**



**Outfitting**

3002 - Anchor windlass, Lofrans LION 1000 1/4" horizontal gypsy	
3002A - Foot switches for Lofrans LION 1000 windlass	
3150A - Aerate, rear cowling storage box (Port)	
3182 - Heater / defroster, Wallas Spartan (11' cabin)	
3220 - Light, LED rear deck (QTY 1)	
3230 - Light, LED courtesy at aisle way (QTY 4)	
3240 - Switch panel, additional eight switch panel	
3382 - Dual USB-A/C combo charger (Each) (Portside)	
3400B - Pump, Whale Gulper pump for in-floor fish box (Twin engine)	
3431 - Alarm, high water	
3435 - Pump, bilge, second 2200 GPH bilge pump	
3441 - Refrigerator, drawer Isotherm Cruise 65 SS, 2.3 Cu Ft., AC/DC (Requires 24" cabinet)	
3443 - Refrigerator, drawer Isotherm Cruise 130 SS w/Freezer, 4.6 Cu Ft., AC/DC NOTE: Requires 24" cabinet and cannot have sink or stove above unit	
3444 - Refrigerator, drawer Isotherm Cruise 85 SS, 3.0 Cu. Ft., AC/DC (Requires 24" cabinet)	
3600 - Shore power for 3 batteries with 3 bank charging system	
3610 - Shore power and upgrade to 4 batteries with 4 bank charging system	
3630 - Shore power, Freedom XC Pro Marine 2000w Inverter w/ 4 batteries & 4 bank charging system	
3690 - Sink, large, w/ faucet & 10 gallon tank (Requires 24" cabinet)	
3691 - Sink, small, w/ faucet & 10 gallon tank (Requires 12" cabinet)	
3695 - Water tank, 18 gallon upgrade (Exch. 10 gallon tank)	

**Outfitting**

3720B - Spotlight, Go Light Stryker with remote	
3750 - Stove, Wallas Nordic Dt diesel with blower lid for cabin heat (Requires 24" cabinet)	
3751 - Diesel tank, 5 gal. aluminum tank w/ external fill & dash fuel gauge	
3770 - Toilet, flushing centered inside cuddy	
3820 - Water test, pre dealer delivery	
3825 - Windshield wiper washer system	
3830A - Fresh water system, wash down & 18 gallon tank	
3830B - Fresh water system with sink & faucet, wash down & 18 gallon tank	
3840 - Hot fresh water shower system, w/ S600EW heater, 30 gallon tank & drain sump	
3845 - Head drain, with Attwood sump pump (Requires stand up head)	
5006 - Bait tank plumbing and installation of Dealer supplied bait tank.	
5006-A - Bait tank plumbing - Provisions Only.	
5006-B - Bait tank wiring system to run continuously over night when at dock - Provisions Only.	
5094 - SEP80 IMTRA Bow Thruster - 12V Proportional (30'-37') - Includes: Joystick, GRP 27 Battery & 1 Bank charging system. (Requires shore power)	
5097 - Yamaha Integration for the IMTRA/Sleipner Proportional Bow Thrusters - Note: Bow Thruster SEP60/SEP80 option and Yamaha I-DES rigging options must be selected.	
5100 - Seakeeper Ride 600 (31'-36')	
5103 - Seakeeper Ride Keypad with Ethernet Cable - Choose MFD Cable: (Garmin, Ray Marine, or Simrad)	
5108 - Sensar Marine - Boat Monitor with Bilge Sentry	



**See Dealer For Additional Options**

**Trailer & Outboard Engine Options - Dealer to provide pricing for appropriate equipment found within the 2026MY Dealer Sales Book**

Prices subject to change. Photos include items that may not be standard features or options. Options may not be available on all models.

# OFFSHORE VXL

## Key Features:

- Lifetime limited hull warranty
- Twin engine offshore bracket with welded Bomar hatch. Setup is for 30" shaft engines
- Aluminum self-bailing deck includes fish box & floor grip non-skid surface
- 13' pilot house with Alaskan bulkhead, offset aisle way, DSG heavy-duty sliding door & cabin windows
- Boarding ladder with welded grab handle
- One color painted side stripe to waterline with clear coat
- Cabin exterior, aft deck, cabin interior & cuddy trunk - Marble Stone Zolatone
- Suspension helm seats
- Electronics box, full over-head electronics box above helm from port to starboard
- Forward state room berth, stand up head, & mid-berth
- Rear cowl storage
- Wash down pump
- Triple bank battery system (Dual HD cranking marine batteries & single house battery with selector switch and ACR)
- Bilge pump with auto-float

Life is better in a North River



## Premier Performance and Comfort

Enhancing safety and convenience, this boat offers the option for larger fuel and/or fish hold capacity. With a 49° hull entry, 20° deadrise, .250 transom, and 28" interior side height, it combines versatility with reliability for your marine adventures.

OFFSHORE VXL	3700VXL
Length Overall	41'1"
Centerline Length	37'
Cabin Length/Height	156"/78"
Cockpit Length/Width	112"/120"
Beam	10'6"
Bottom	.250
Sides	50" x .190
Fuel Capacity - Gallons	340
Dry Weight - lbs	13,900
Person Capacity	12
Person Wt. Capacity	2,220
Max Wt. Capacity on water <small>(Persons, Motors &amp; Gear) - lbs</small>	14,533
Max Horsepower*	1,275

\*Listed horsepower rating may require upgraded offshore bracket.

### Boat on Trailer Dimensions - Average Values\*

Highest Fixed Point	12'
Length Overall <small>Coupler to Main Engine</small>	47'

\*Make of trailer will affect actual values

## Offshore VXL

37' x 10' 6" Offshore 3700VXL



### Fabrication

1026 - Endurance Aft station helm, console only	
1026A - Endurance Aft station helm, twin-engine	
1045 - Plano storage inside console	
1050 - Beaching plate	
1200DW - Bracket, offshore with 1/2" plate (Over 800 HP, triple engine)	
1270 - Brackets, welded down rigger (Pair at FWD stern rail)	
1530 - Door, side boarding (Port)	
1542 - Trim lip, aluminum at rear cowling	
1545 - Door, transom boarding (Starboard)	
1760 - Fish boxes, side mounted floor w/ Forespar shut off ball valve (QTY 2)	
1761A - Fish boxes, side-mounted floor w/ Whale Gulper pumps (QTY 2)	
1800 - Ladder, rooftop (Port or Starboard)	
2165C - Rod holder (QTY 3) welded to net holder (QTY 1) (Port and Starboard)	
2200B - Rub rails, upper & lower (2 Port & 2 Starboard)	
2220B - Rod holders, welded to fore side of rooftop rod holder assembly (QTY 8)	
2225 - Rosebud cleats, welded aft deck (QTY 4)	
2255 - Storage rack, rooftop	

### Fabrication

2285 - Insulate fish box sides and bottom (Per fish box option)	
GX4 - Lone Star GX4 Drum Anchor Winch - up to 40ft.	
GX-A - Lone Star GX3 & GX4 Drum Anchor Winch Welded Provisions - ONLY	
SK-4 - Seakeeper 4, installed in floor fish hold (Shore power option required)	
SK-A - Welded structure provisions only for Dealer installed Seakeeper	
5012 - Outrigger boss mounting plate (QTY 1) - AFT roof overhang Port & Starboard	

### Upholstery

710 - Seat, Ocean Master	
--------------------------	--

### Paint Colors

4060 - Color matched Zolatone (Cabin, gunwales & aft deck)	
4115 - One color full side paint to chine	
4135 - Two color side paint to chine	
5089 - Alaskan Painted Trim Package - Lillith Zolatone w/flat clear (30-59)	

### Fuel and Fish Hold For 13' Cabin

Contact North River Sales for pricing and availability	
--	--



See Dealer For Additional Options



**Outfitting**

3180 - Heater / defroster, Wallas Spartan (11' cabin)	
3220 - Light, LED rear deck (QTY 1)	
3230 - Light, LED courtesy at aisle way (QTY 4)	
3240 - Switch panel, additional eight switch panel	
3382 - Dual USB-A/C combo charger (Each) (Portside)	
3400B - Pump, Whale Gulper pump for in-floor fish box (Twin engine)	
3431 - Alarm, high water	
3435 - Pump, bilge, second 2200 GPH bilge pump	
3443 - Refrigerator, drawer Isotherm Cruise 130 SS w/Freezer, 4.6 Cu Ft., AC/DC NOTE: Requires 24" cabinet and cannot have sink or stove above unit	
3610 - Shore power and upgrade to 4 batteries with 4 bank charging system	
3630 - Shore power, Freedom XC Pro Marine 2000w Inverter w/ 4 batteries & 4 bank charging system	
3720B - Spotlight, Go Light Stryker with remote	
3750 - Stove, Wallas Nordic Dt diesel with blower lid for cabin heat (Requires 24" cabinet)	
3751 - Diesel tank, 5 gal. aluminum tank w/ external fill & dash fuel gauge	
3820 - Water test, pre dealer delivery	
3825 - Windshield wiper washer system	

**Outfitting**

3830B - Fresh water system with sink & faucet, wash down & 18 gallon tank	
3840 - Hot fresh water shower system, w/ S600EW heater, 30 gallon tank & drain sump	
3845 - Head drain, with Attwood sump pump (Requires stand up head)	
5006 - Bait tank plumbing and installation of Dealer supplied bait tank.	
5006-A - Bait tank plumbing - Provisions Only.	
5006-B - Bait tank wiring system to run continuously over night when at dock - Provisions Only.	
5094 - SEP80 IMTRA Bow Thruster - 12V Proportional (30'-37') - Includes: Joystick, GRP 27 Battery & 1 Bank charging system. (Requires shore power)	
5097 - Yamaha Integration for the IMTRA/Sleipner Proportional Bow Thrusters - Note: Bow Thruster SEP60/SEP80 option and Yamaha I-DES rigging options must be selected.	
5100 - Seakeeper Ride 600 (31'-36')	
5103 - Seakeeper Ride Keypad with Ethernet Cable - Choose MFD Cable: (Garmin, Ray Marine, or Simrad)	
5108 - Sensar Marine - Boat Monitor with Bilge Sentry	

**Steering**

HS 2 - Hydraulic steering system, twin main engines	
---	--



**See Dealer For Additional Options**

**Trailer & Outboard Engine Options - Dealer to provide pricing for appropriate equipment found within the 2026MY Dealer Sales Book**  
 Prices subject to change. Photos include items that may not be standard features or options. Options may not be available on all models.

# Explore the Offshore VXL Interior

\*NOTE: Pictures may show items that are not standard.





---

## **LIFE IS BETTER IN A NORTH RIVER**

Our mission is to enhance the lives of our customers, employees and the community by building the best aluminum boats in the industry, and by relentlessly improving quality and customer service through operational excellence.

**MADE IN ROSEBURG, OREGON**


---



Follow us on social:

 @therealnorthriverboats

 @northriverboatsfactory

 @northriverboats



© 2025 NORTH RIVER BOATS. ALL RIGHTS RESERVED

[www.northriverboats.com](http://www.northriverboats.com)



Prices subject to change. Photos include items that may not be standard features or options.